



# OPTIONS AND PLANNING DIMENSIONS

KONE TravelMaster™ 115 inclined autowalks

# KONE TRANSITMASTER™ PRODUCT RANGE

Well designed and manufactured escalators and autowalks are a must for today's highly demanding public areas. They are key to ensuring the smooth, efficient and safe flow of people traveling within a building's environment.

KONE prides itself on delivering the 'low risk' option to customers. We offer 'peace of mind' in terms of product design, customer support and project management, combined with the highest levels of efficiency and safety during the installation phase.

**The versatile KONE TravelMaster escalator and autowalk range is ideal for new installations, and incorporates two specific models:**

- TravelMaster 110 escalator
- TravelMaster 115 inclined autowalk

They are specifically designed to meet the exact demands and needs of the commercial market sector, whether it's a low rise escalator you are looking for, or an inclined autowalk.



# TRAVELMASTER™ 115 – A NEW LEVEL OF SHOPPING COMFORT

The KONE TravelMaster 115 is a commercial inclined autowalk targeted primarily towards the retail segment – supermarkets, hypermarkets, department stores and shopping centers. Here it is part of the total KONE solution offering together with other KONE products such as:

- Commercial escalators ----- e.g. KONE TravelMaster™ 110
- Passenger elevators ----- e.g. KONE MonoSpace®
- Goods elevators ----- e.g. KONE TranSys™
- Scenic elevators ----- based on KONE MonoSpace® or KONE MonoSpace® Special
- Modernization solutions ----- e.g. KONE EcoMod™ 2
- Automatic building doors

Secondary focus areas for the KONE TravelMaster 115 include airports, smaller railway stations, hotels and hospitals.

The KONE TravelMaster 115 is designed, from both a technical and visual point of view, to fulfill the main customer requirements of the target segments:

- Cost competitiveness
- High quality in terms of technical performance and visual appearance
- Large standard offering with some engineering flexibility
- Elegant and modern design

## Overview of technical specifications

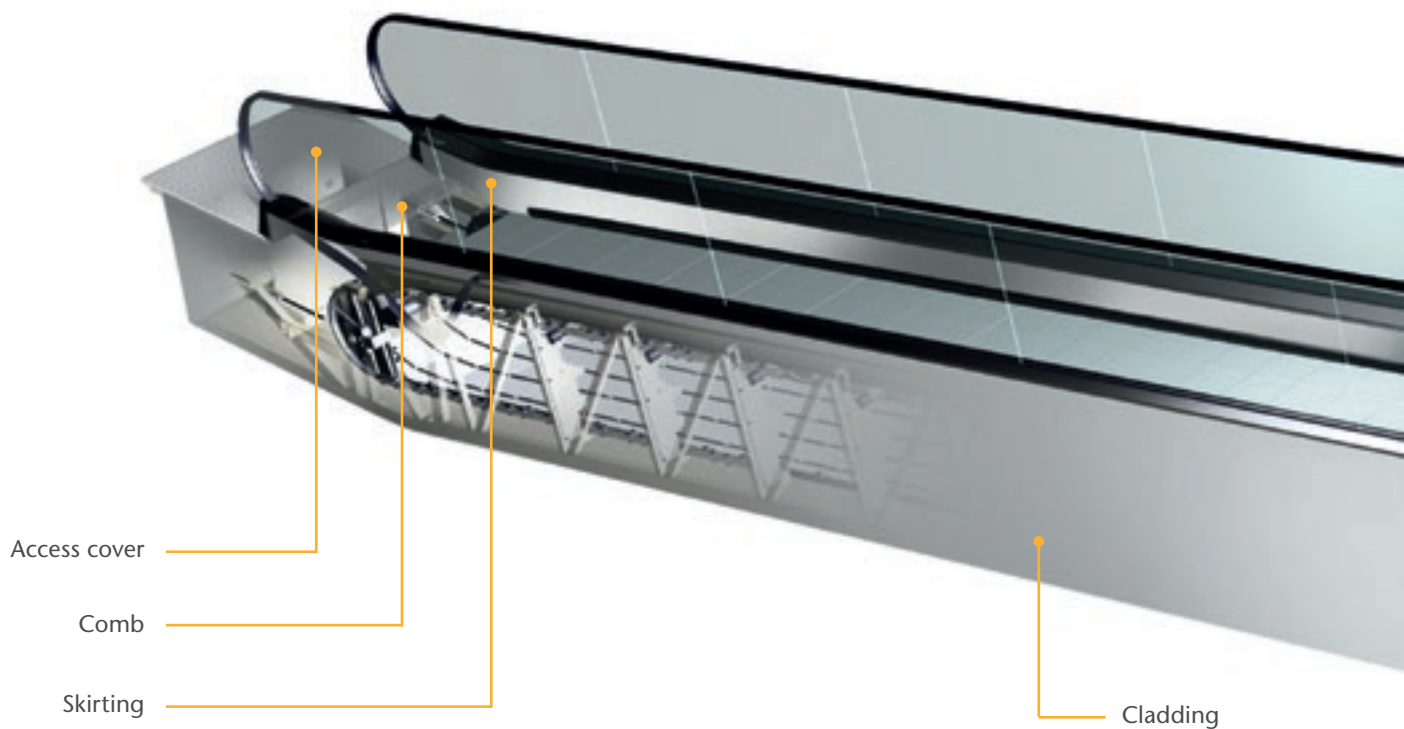
KONE TRAVELMASTER 115 BASIC DATA	
Inclination	10°, 11°, 12°
Horizontal pallets (bottom/top)	0/1, 1/1, 0/2, 1/2, 2/2
Transition radii	6000 mm at top end, 0 mm at bottom end for 0 horizontal pallet (10,000 mm for 1 or 2 horizontal pallets)
Maximum rise	8 m
Operational environment	Indoor, semi-outdoor
Pallet width	800 mm, 1000 mm, 1100 mm
Balustrade type	<ul style="list-style-type: none"> <li>• 10 mm tempered glass with slim handrail profile</li> <li>• Stainless steel sandwich panel balustrade</li> <li>• Balustrade extension of 400 or 700 mm</li> </ul>
Balustrade height	1000 mm, 1100 mm
Speed	0.4 m/s with inverter, 0.5 m/s
Truss type	Standard or flat design
Pallet chains	Inside roller chains
Duty cycle	12 – 16 hours/day
Typical service life	100,000 hours*

\* Actual service life is directly related to operation hours and load profile. Contact your KONE representative for more information

# ECO-EFFICIENCY

KONE firmly believes that sustainable buildings are our future. We are committed to helping customers achieve their environmental objectives by providing environmentally responsible products and services.

- Stand-by speed operation reduces the inclined autowalk speed when no passengers are traveling, thus further reducing energy consumption and increasing equipment lifetime.
- The availability of a lubrication-free step chain means no oil, a cleaner inclined autowalk and environment, reduced fire hazard, simpler cleaning and easier maintenance.
- Reduced autowalk running speed of 0.4 m/s not only enhances passenger safety but also saves energy depending on passenger traffic.
- Various LED lighting solutions allows an energy saving of up to 80% compared to conventional lighting.
- Regenerative solutions recover energy created when the autowalk is used and feed it back into the system.
- All of our production operations are certified according to the ISO 14001 standard.

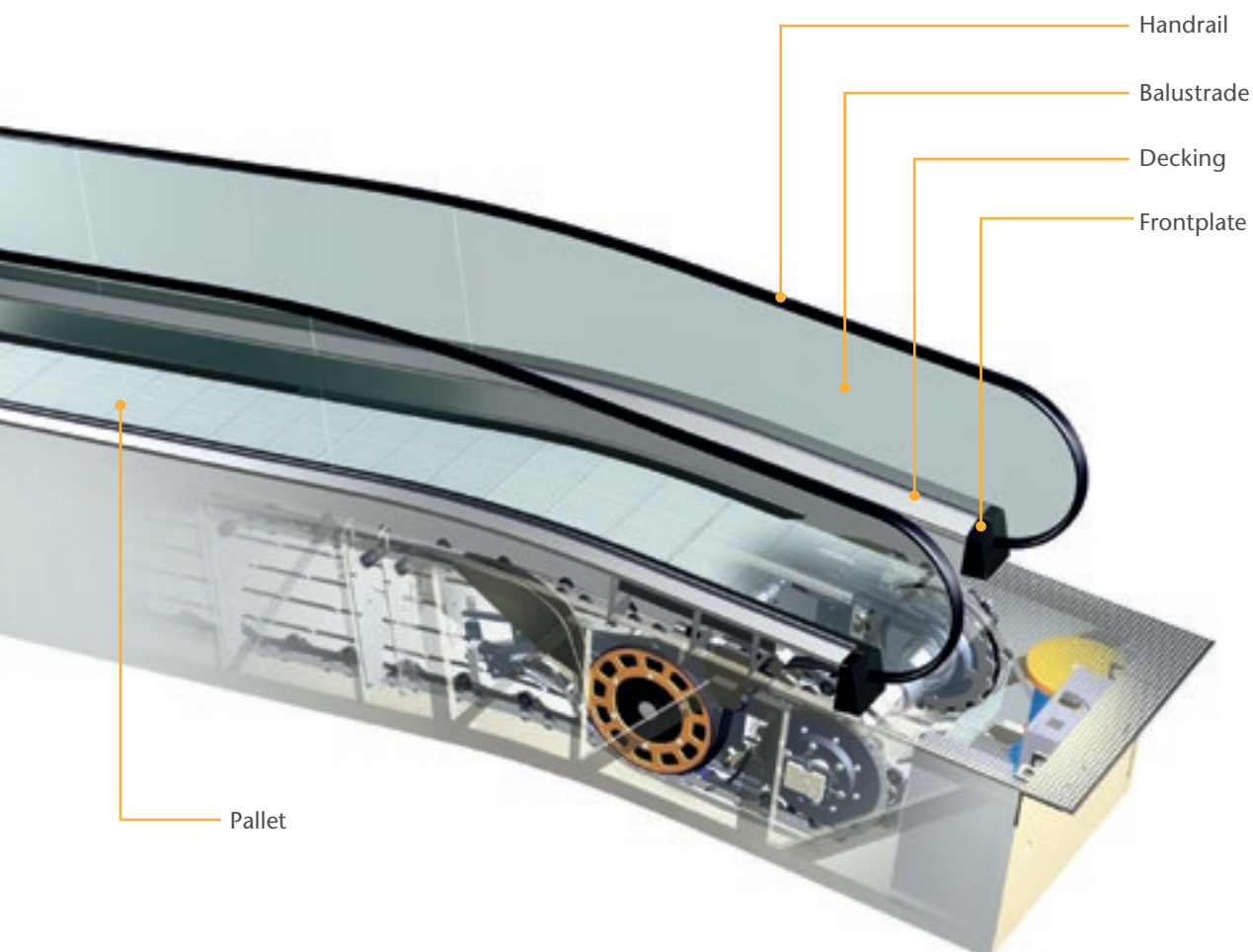


# SAFETY OPTIONS

The standard safety features of the KONE TravelMaster 115 according to the EN 115-1:2008 + A1:2010 safety code are the following:

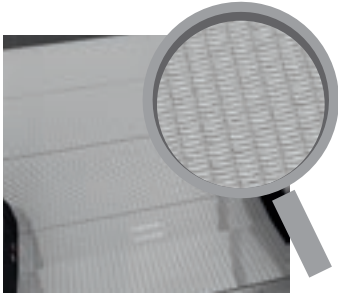
- Emergency stop buttons for passengers in the top left and bottom right handrail inlet front plates
- Auxiliary brake is standard for units above 6 m vertical rise and is available as an option for units below 6 m
- Broken pallet chain (chain tension) switches in the return station which stop the autowalk in case of failure of the pallet chain
- Handrail inlet switches with contacts at the handrail inlets into the balustrade heads
- Comb plate impact device switches which stop the autowalk in case objects become trapped between the comb teeth and the moving pallet band
- Pallet sag switches, which stop the autowalk if a pallet sags by more than 5 mm before it enters the comb
- Pallet band locking device
- Step guards at top & bottom
- Speed sensor system, which electronically monitors the motor for over/under speeds and pallet band reversal
- Motor thermal protection for temperature monitoring
- Main switch with thermal and magnetic release
- Stop switches for engineers' use within upper and lower end pits
- Sockets for inspection use installed in the upper and lower machine compartments
- Skirt deflector brushes
- Access cover contacts
- Handrail speed monitor
- Missing pallet monitor
- Diagnostic display
- Additional emergency stop button

Other safety and monitoring functions, such as KONE Remote Monitoring and E-link, are available on request.

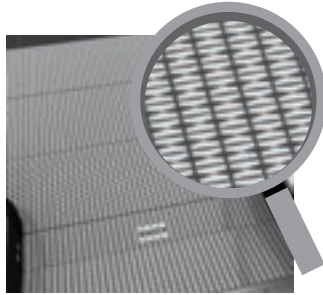


# VISUAL OPTIONS

## ACCESS COVER



Stainless steel surface with punched diamond pattern (available in 304# and 443#)



Black painted stainless steel surface with punched diamond pattern (available in 304# and 443#).  
Floor numbering is available.

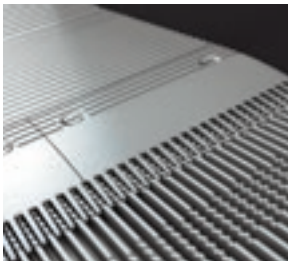


Natural ribbed aluminum

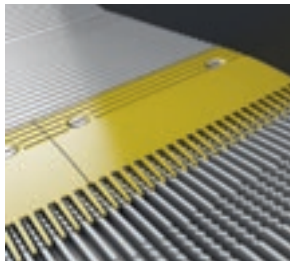


Ribbed aluminum with black grooves

## COMB



Aluminum comb segments



Aluminum comb segments with yellow coating

## SKIRT



Stainless steel without coating



Stainless steel with clear anti-friction coating

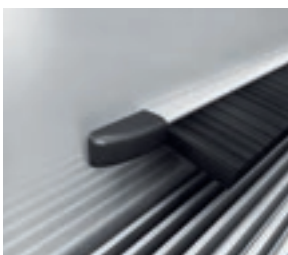


Sheet steel skirt with black powder coating

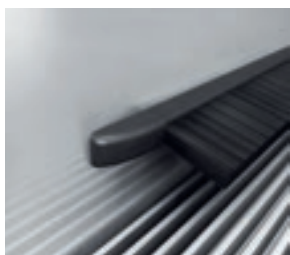


Sheet steel with black anti-friction coating

## SKIRT BRUSH HOLDER



Clear anodized aluminum



Black anodized aluminum

## FRONTPLATE



Satin polished stainless steel

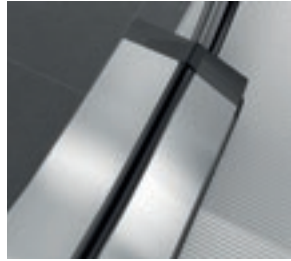


Black plastic

## DECKING



Natural anodized aluminum



Brushed satin stainless steel



Center decking in same material as decking

---

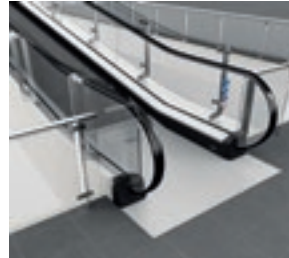
## BALUSTRADE



Clear glass balustrade panels



Stainless steel sandwich panels



Passenger fall protection barrier height up to 1300 mm. Recommended when a fall greater than 6 m is possible

---

## HANDRAIL



Black



Black with white demarcation inserts



Red



Blue



Green



Brown

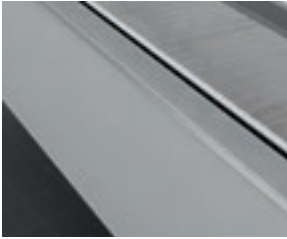


Beige



Grey

## CLADDING



Grey primed sheet steel cladding (RAL7036)

Note: If needed this can be used for local on site decoration.



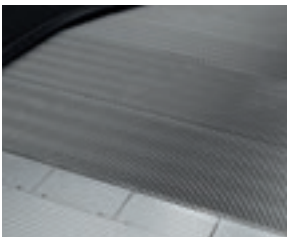
Grey powder coated sheet steel cladding (RAL7036)



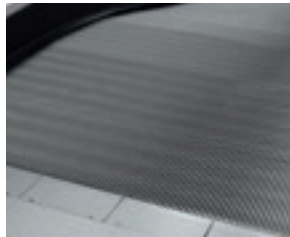
Brushed satin stainless steel cladding

Note: If required, KONE can supply mounting strips for local customized cladding. Maximum weight allowance = 15 kg/m<sup>2</sup>.

## HORIZONTAL PALLETS



1 horizontal pallet



2 horizontal pallets

Note: Different combinations of horizontal pallet between lower end and upper end are available for you to select:

- 0 lower end + 1 upper end
- 1 lower end + 1 upper end
- 0 lower end + 2 upper end
- 1 lower end + 2 upper end
- 2 lower end + 2 upper end

## PALLET



Natural aluminum



Silver aluminum



Black aluminum pallets with metal color ribs



Black stainless steel pallet (only for selected markets)

## PALLET DEMARCATION



Yellow painted demarcation on two sides of pallet



Yellow plastic inserts demarcation on two sides of pallet (only with black stainless steel pallet)

## ADDITIONAL OPTIONS



Anti-climb barrier (EN115-1:2008 + A1:2010 requirement)



Additional emergency stop button (EN115-1:2008+A1:2010 requirement)



Diagnostic display

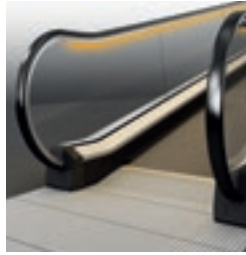


## LED LIGHTING

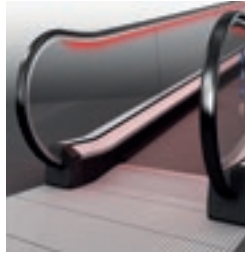
### Continuous LED handrail lighting



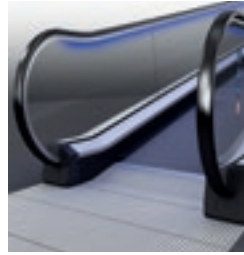
White



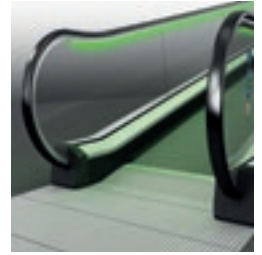
Yellow



Red



Blue



Green

### Continuous LED skirt lighting



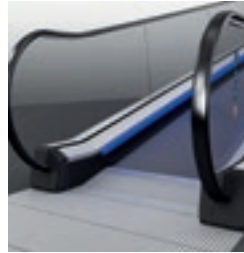
White



Yellow



Red



Blue

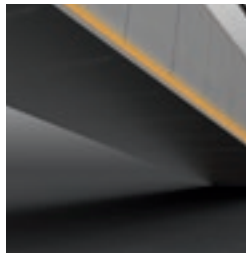


Green

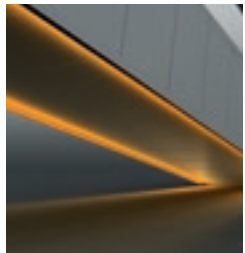
### LED skirt spot lighting



LED skirt spotlighting



Side cladding\*



Soffit cladding\*



Side and soffit cladding\*

### LED soffit spot lighting



Soffit spot lighting

### LED options specification

#### LED handrail lighting

- Static continuous lighting
- Several color options available (see above)
- Add-on solution for existing units

#### LED skirt lighting

- Static continuous lighting
- Several color options available (see above)

#### LED skirt spot lighting

- Decorative lighting
- White light

#### LED cove lighting

- Static continuous cove lighting, direct and indirect solutions
- Can be installed to light up the soffit and/or the side cladding
- Several color options available (white, blue, green, yellow and red)
- Decorative lighting

#### LED soffit spot lighting

- Round spot lighting in various layouts (single row, double row)
- Decorative lighting
- White light

#### LED comb light

- Static or flashing option
- Several color options available (white, blue, green, yellow and red)

### LED comb light\*



\* Same colour options as in continuous LED handrail and skirt lighting

## ADDITIONAL LIGHTING



LED traffic lights located in the decking



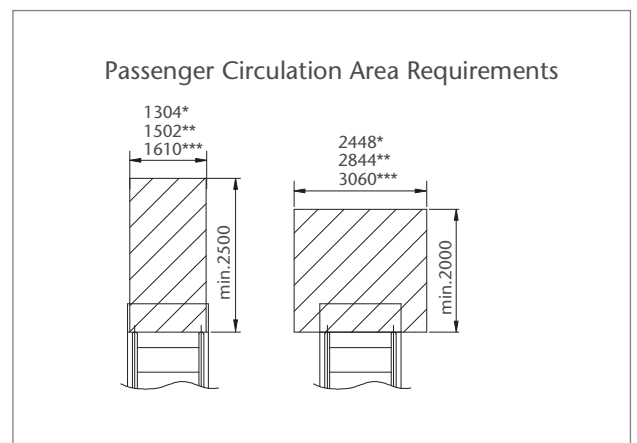
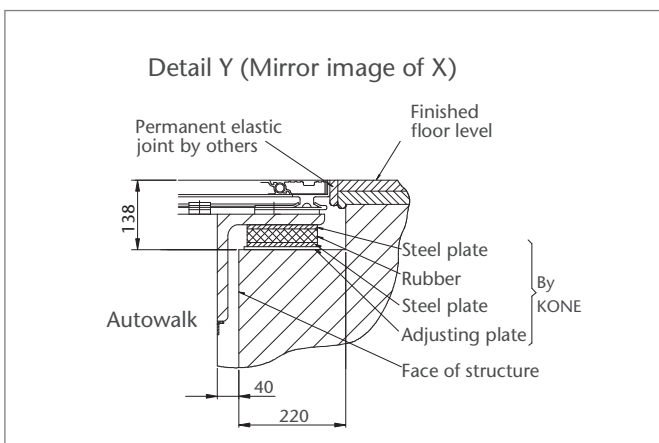
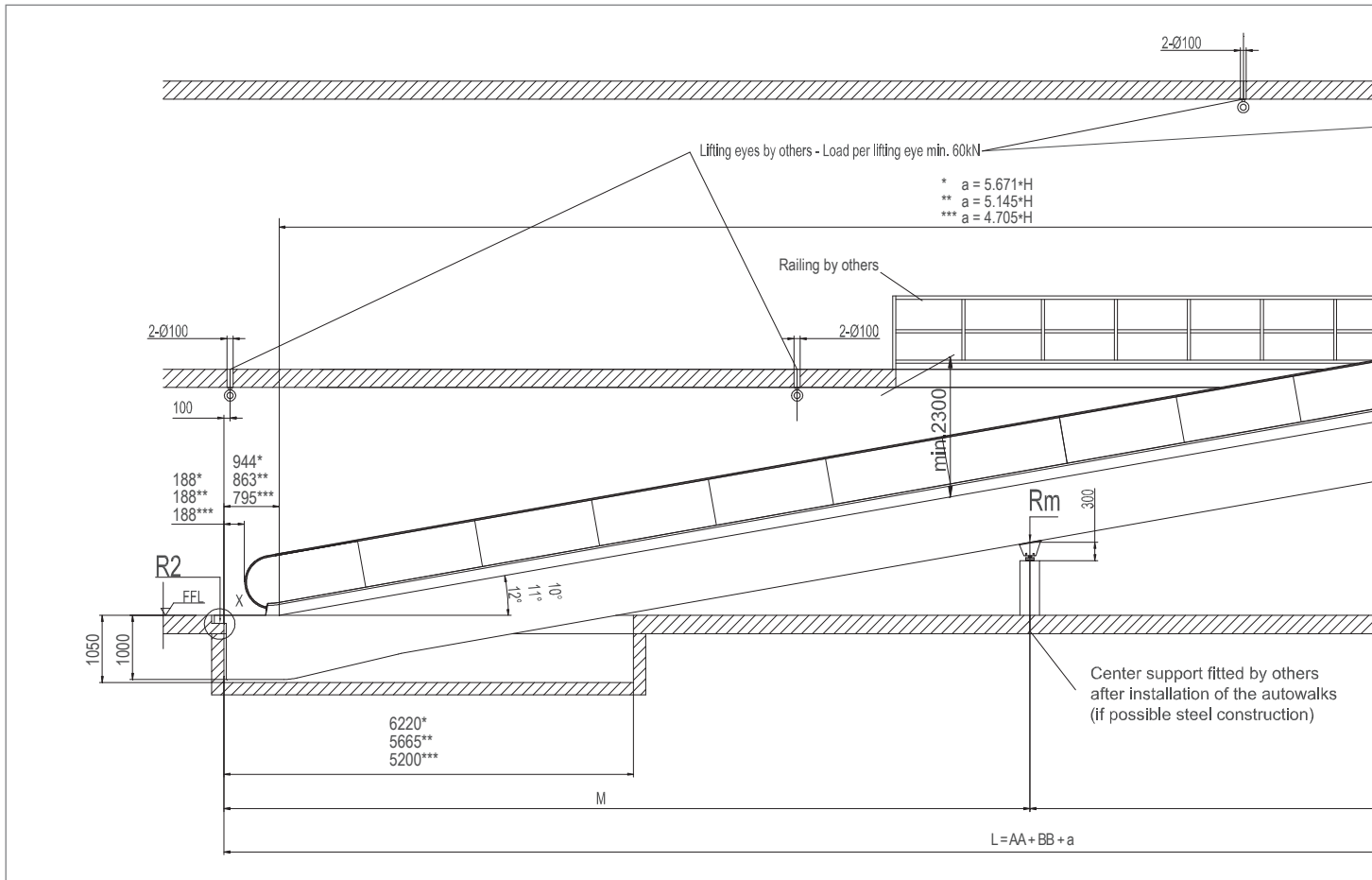
Pallet demarcation lighting

# KONE TRAVELMASTER™ 115 PLANNING DIMENSIONS

Architectural planning data

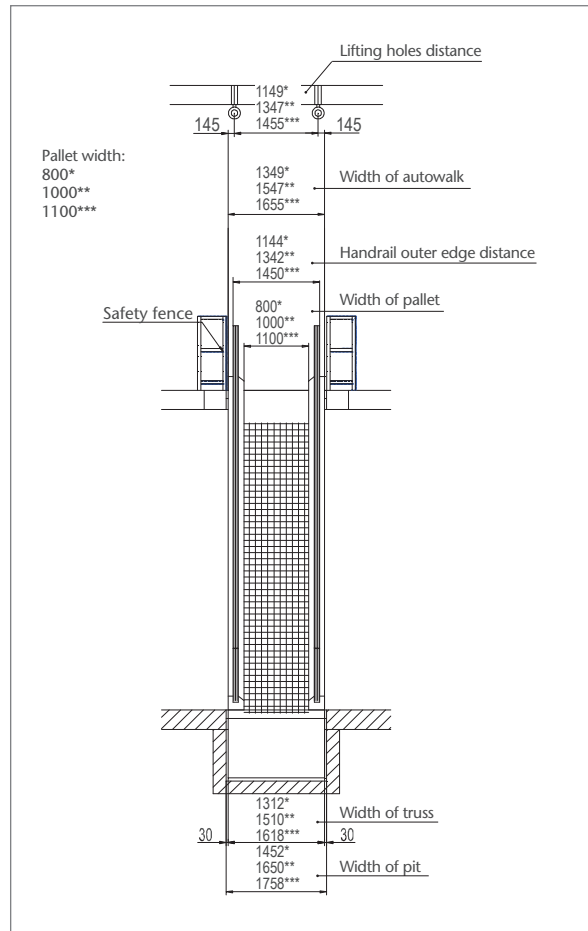
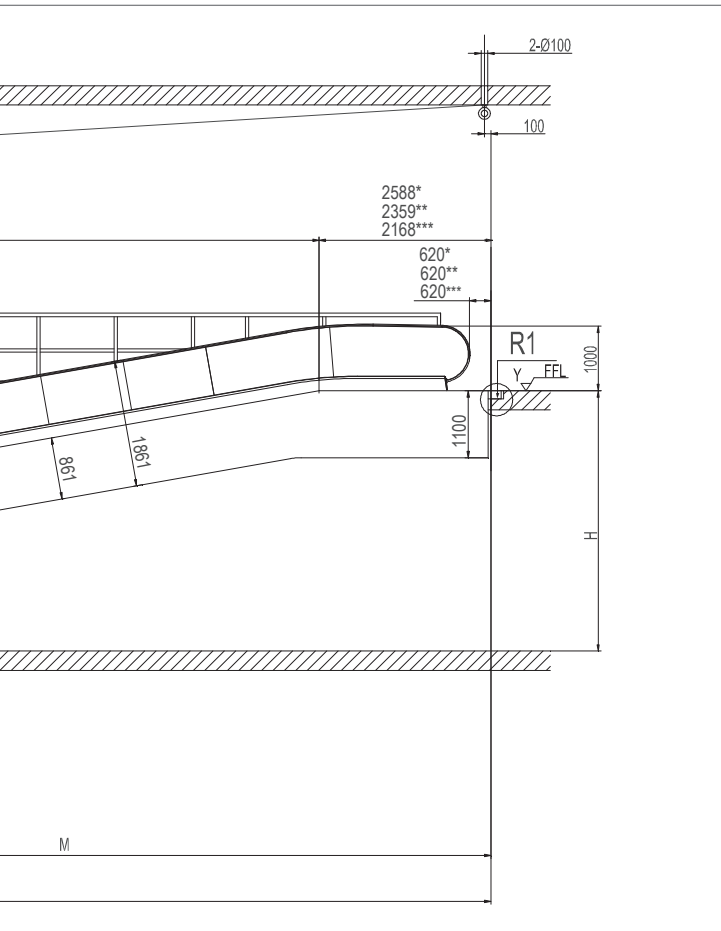
**10° / 11° / 12° inclination / standard truss type / 1 horizontal pallet at upper landing**

Code: EN 115-1:2008 + A1:2010<sup>1)</sup>



REACTION FORCE (KN)						
	800 mm pallet width		1000 mm pallet width		1100 mm pallet width	
Without intermediate support	$R1=5.0L/1000+10.9$	$R1=5.0L/1000+3.0$	$R1=5.5L/1000+12$	$R1=5.5L/1000+3.4$	$R1=5.7L/1000+12.5$	$R1=5.7L/1000+3.6$
With intermediate support	$R1=2.1L/1000+10.9$	$R1=2.1L/1000+3.0$	$R1=2.3L/1000+12$	$R1=2.3L/1000+3.4$	$R1=2.4L/1000+12.5$	$R1=2.4L/1000+3.6$
	$Rm = 5.9L/1000+3.0$		$Rm = 6.6L/1000$		$Rm = 6.9L/1000$	

<sup>1)</sup> Other local codes dimensional requirements are available upon request, please contact your local KONE Sales representative for more information.



- All dimensions are in millimeters
- Maximum vertical rise: H = 8000 mm
- One intermediate support needed if span >18110 mm
- Upper truss extension maximum 500 mm
- Lower truss extension maximum 500 mm
- Additional cladding material maximum 15 kg/m<sup>2</sup>
- Dimension for 10° inclination \*
- Dimension for 11° inclination \*\*
- Dimension for 12° inclination \*\*\*

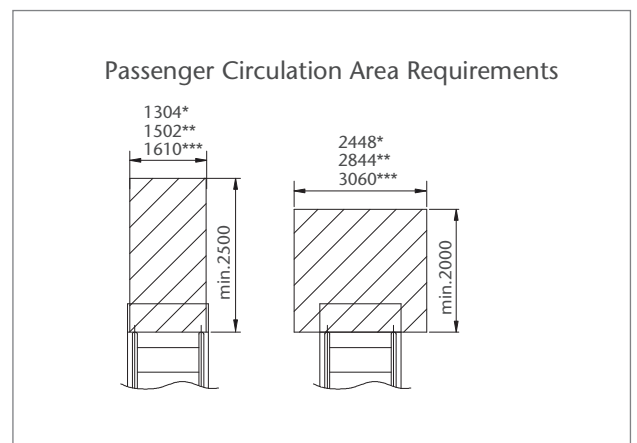
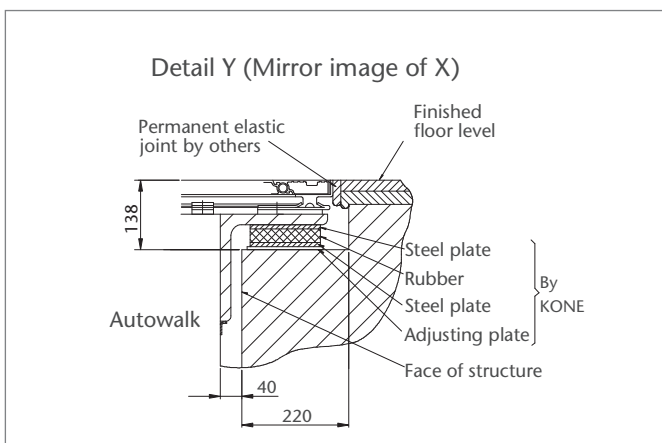
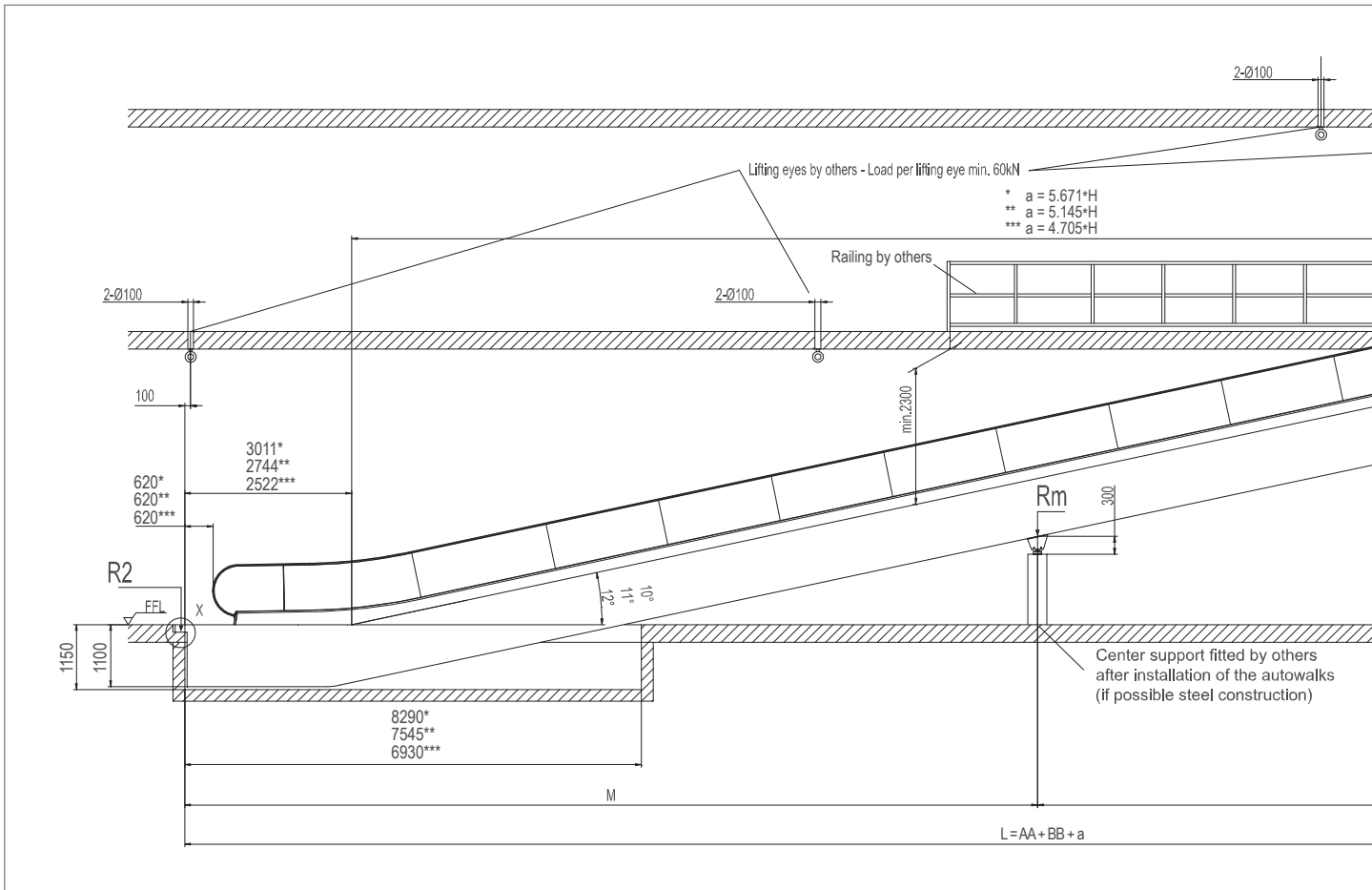
Note:  
 If you would like to obtain the exact dimensions for your specific project,  
 we recommend you use the Escalator Design Tools, which can be found on [www.kone.com](http://www.kone.com).

# KONE TRAVELMASTER™ 115 PLANNING DIMENSIONS

Architectural planning data

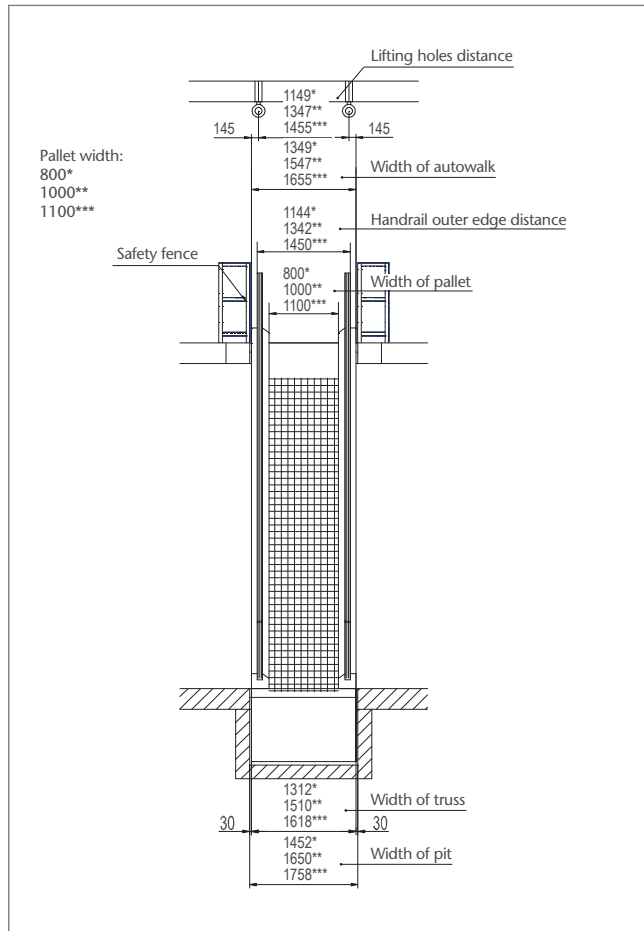
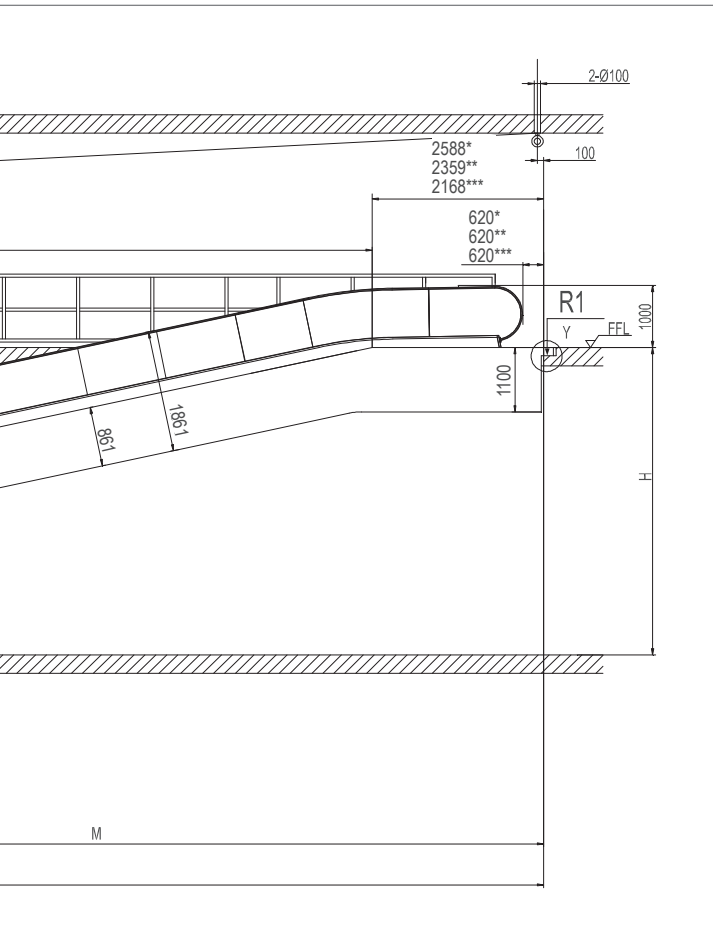
**10°/ 11°/ 12° inclination / standard truss type/ 1 horizontal pallet at each landing**

Code: EN 115-1:2008 + 1:2010<sup>1)</sup>



REACTION FORCE (KN)						
	800 mm pallet width		1000 mm pallet width		1100 mm pallet width	
Without intermediate support	$R1=5.0L/1000+10.9$	$R1=5.0L/1000+3.0$	$R1=5.5L/1000+12$	$R1=5.5L/1000+3.4$	$R1=5.7L/1000+12.5$	$R1=5.7L/1000+3.6$
With intermediate support	$R1=2.1L/1000+10.9$	$R1=2.1L/1000+3.0$	$R1=2.3L/1000+12$	$R1=2.3L/1000+3.4$	$R1=2.4L/1000+12.5$	$R1=2.4L/1000+3.6$
	$Rm = 5.9L/1000+3.0$		$Rm = 6.6L/1000$		$Rm = 6.9L/1000$	

<sup>1)</sup> Other local codes dimensional requirements are available upon request, please contact your local KONE Sales representative for more information.



- All dimensions are in millimeters
- Maximum vertical rise: H = 8000 mm
- One intermediate support needed if span >18110 mm
- Upper truss extension maximum 500 mm
- Lower truss extension maximum 500 mm
- Additional cladding material maximum 15 kg/m<sup>2</sup>
- Dimension for 10° inclination \*
- Dimension for 11° inclination \*\*
- Dimension for 12° inclination \*\*\*

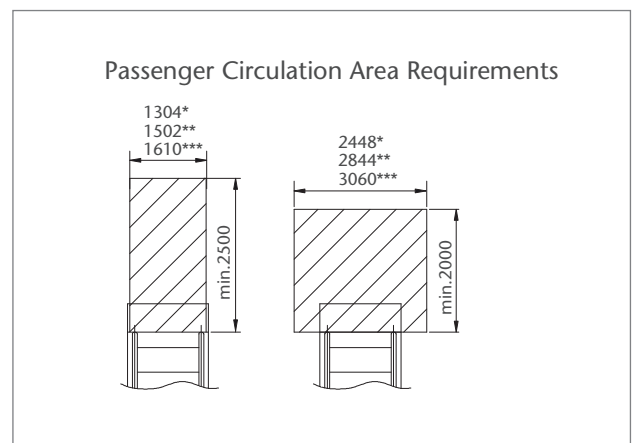
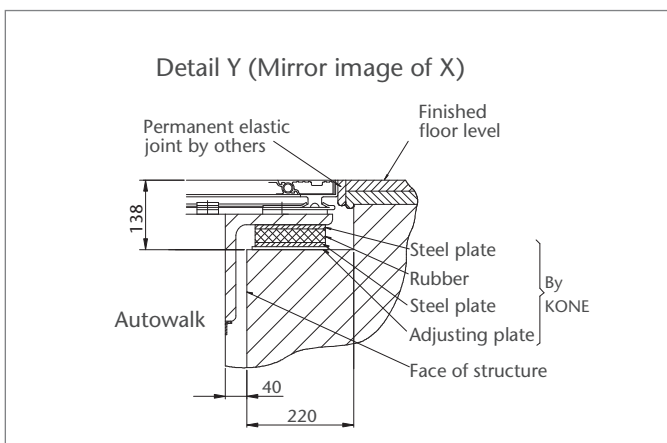
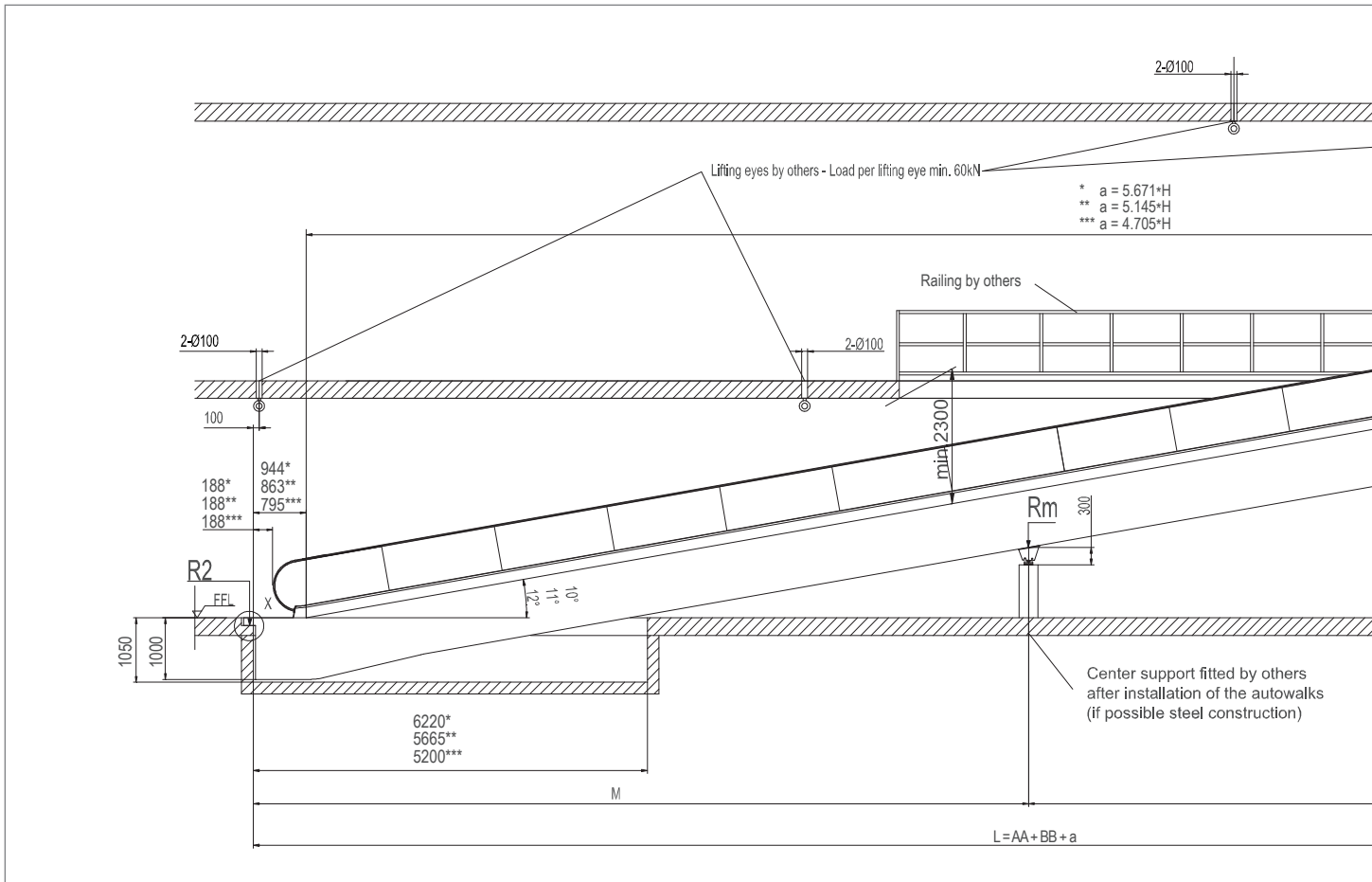
Note:  
 If you would like to obtain the exact dimensions for your specific project,  
 we recommend you use the Escalator Design Tools, which can be found on [www.kone.com](http://www.kone.com).

# KONE TRAVELMASTER™ 115 PLANNING DIMENSIONS

Architectural planning data

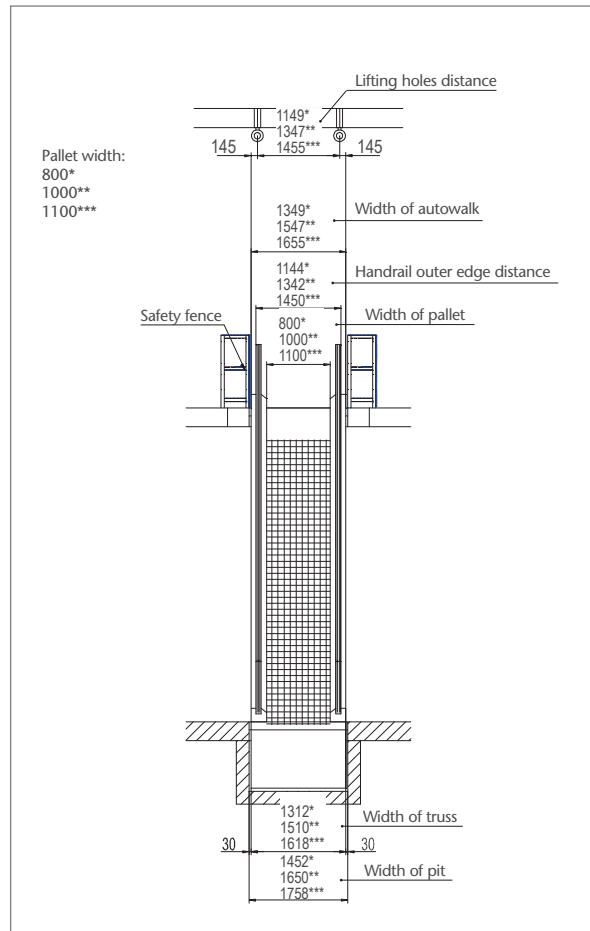
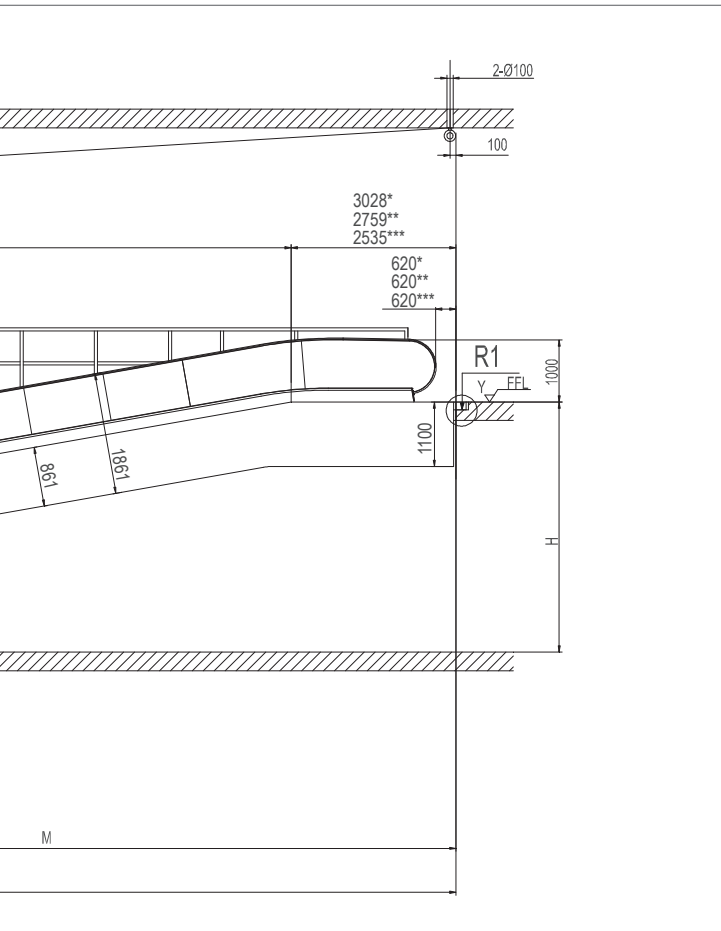
**10°/ 11°/ 12° inclination / standard truss type / 2 horizontal pallets at upper landing**

Code: EN 115-1:2008 + A1:2010<sup>1)</sup>



REACTION FORCE [kN]						
	800 mm pallet width		1000 mm pallet width		1100 mm pallet width	
Without intermediate support	$R1=5.0L/1000+10.9$	$R1=5.0L/1000+3.0$	$R1=5.5L/1000+12$	$R1=5.5L/1000+3.4$	$R1=5.7L/1000+12.5$	$R1=5.7L/1000+3.6$
With intermediate support	$R1=2.1L/1000+10.9$	$R1=2.1L/1000+3.0$	$R1=2.3L/1000+12$	$R1=2.3L/1000+3.4$	$R1=2.4L/1000+12.5$	$R1=2.4L/1000+3.6$
	$Rm = 5.9L/1000+3.0$		$Rm = 6.6L/1000$		$Rm = 6.9L/1000$	

<sup>1)</sup> Other local codes dimensional requirements are available upon request, please contact your local KONE Sales representative for more information.



All dimensions are in millimeters

Maximum vertical rise:  $H = 8000 \text{ mm}$

One intermediate support needed if span  $>18110 \text{ mm}$

- Upper truss extension maximum  $500 \text{ mm}$
- Lower truss extension maximum  $500 \text{ mm}$
- Additional cladding material maximum  $15 \text{ kg/m}^2$
- Dimension for  $10^\circ$  inclination \*
- Dimension for  $11^\circ$  inclination \*\*
- Dimension for  $12^\circ$  inclination \*\*\*

Note:

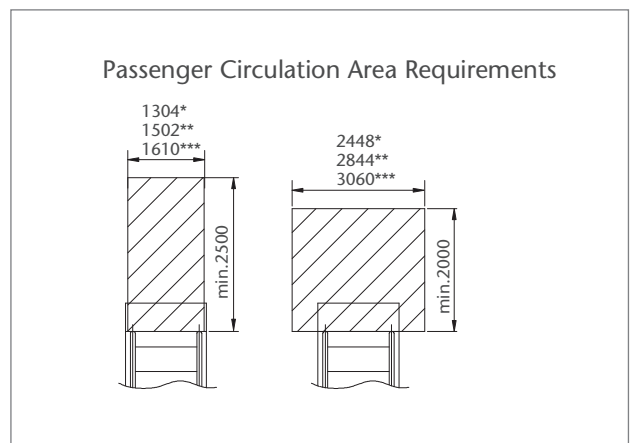
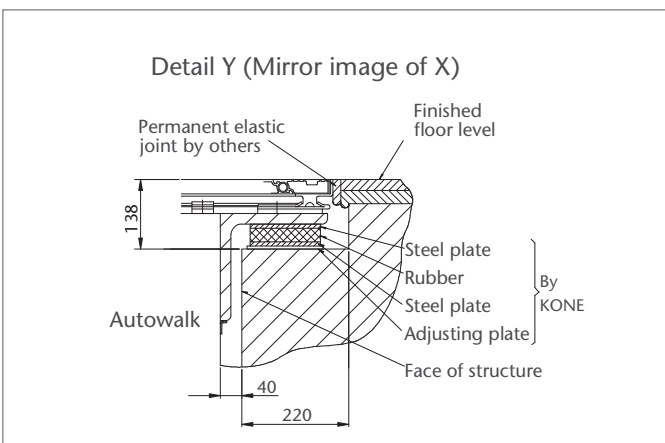
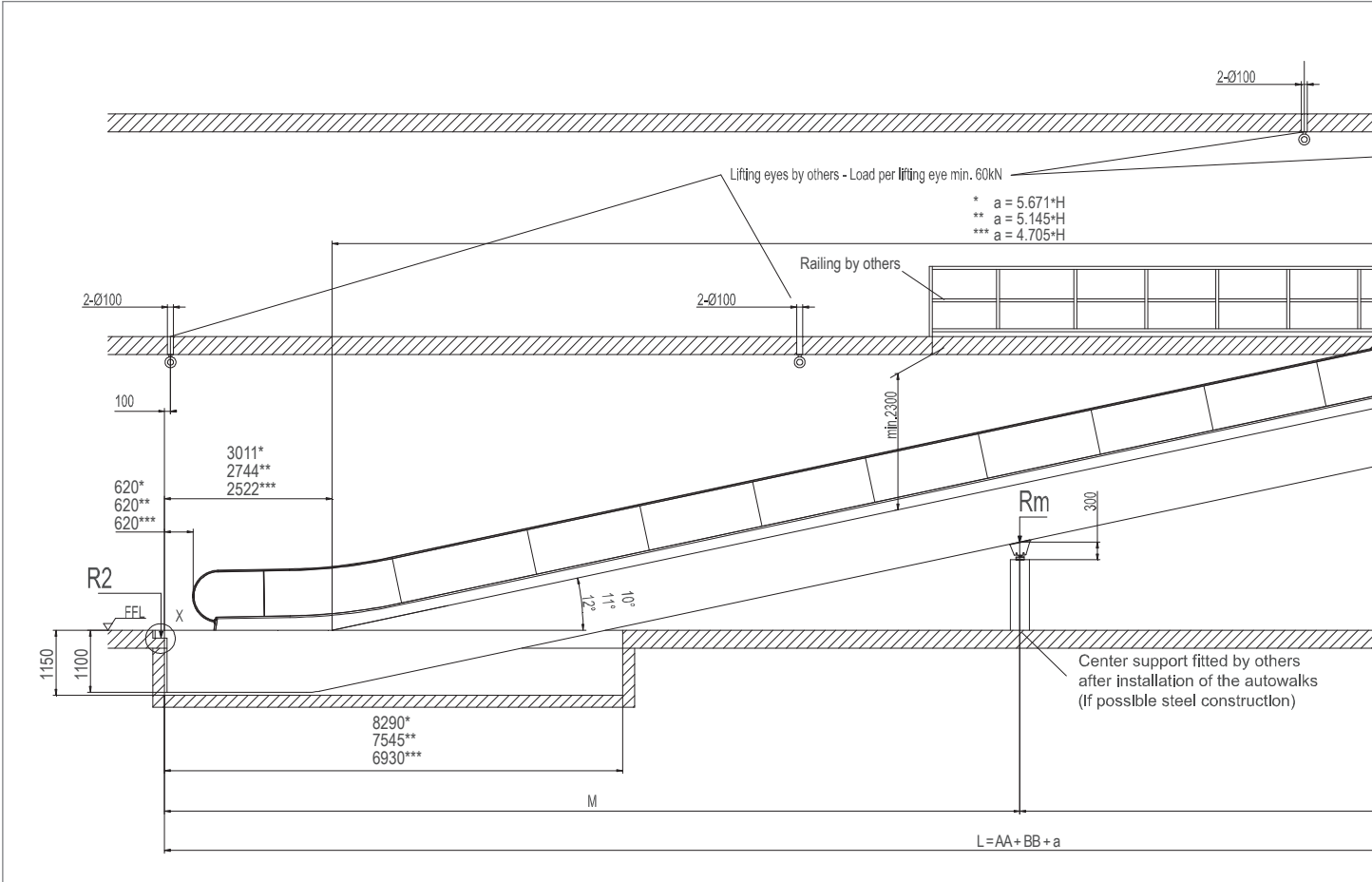
If you would like to obtain the exact dimensions for your specific project, we recommend you use the Escalator Design Tools, which can be found on [www.kone.com](http://www.kone.com).

# KONE TRAVELMASTER™ 115 PLANNING DIMENSIONS

Architectural planning data

**10°/ 11°/ 12° inclination / standard truss type / 1 horizontal pallet at lower, 2 at upper landing**

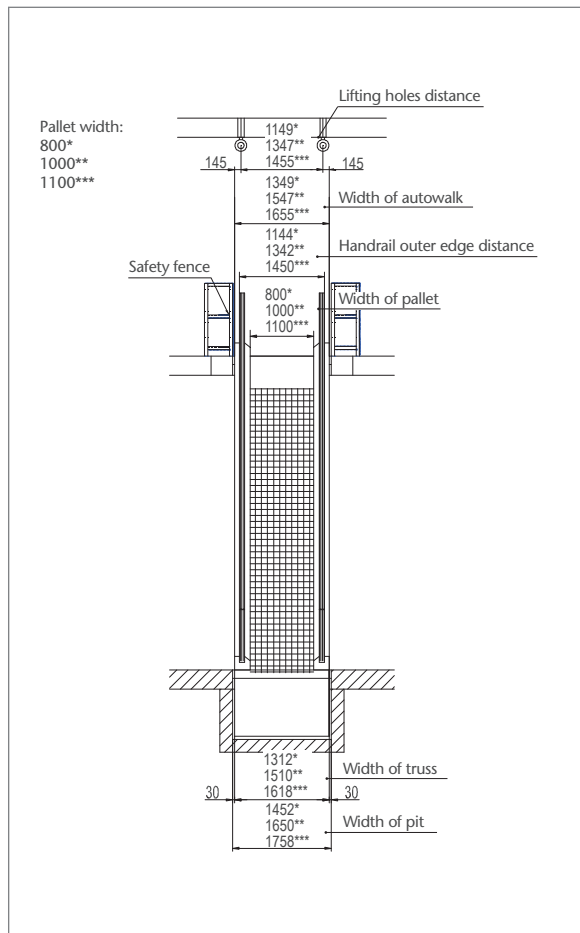
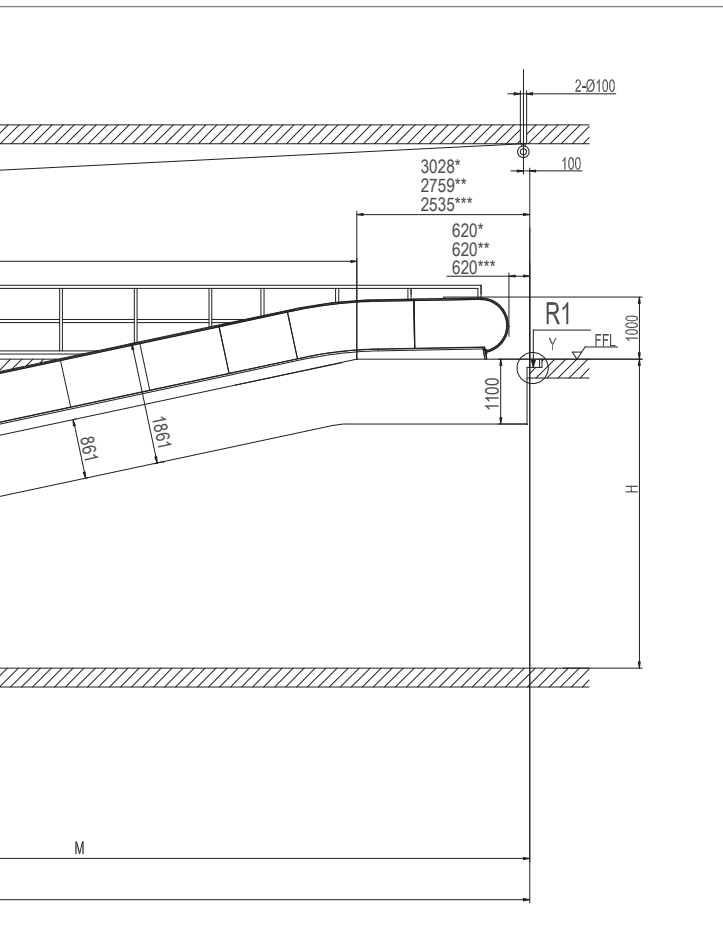
Code: EN 115-1:2008 + A1:2010<sup>1)</sup>



REACTION FORCE (KN)						
	800 mm pallet width		1000 mm pallet width		1100 mm pallet width	
Without intermediate support	$R1=5.0L/1000+10.9$	$R1=5.0L/1000+3.0$	$R1=5.5L/1000+12$	$R1=5.5L/1000+3.4$	$R1=5.7L/1000+12.5$	$R1=5.7L/1000+3.6$
With intermediate support	$R1=2.1L/1000+10.9$	$R1=2.1L/1000+3.0$	$R1=2.3L/1000+12$	$R1=2.3L/1000+3.4$	$R1=2.4L/1000+12.5$	$R1=2.4L/1000+3.6$
	$Rm = 5.9L/1000+3.0$		$Rm = 6.6L/1000$		$Rm = 6.9L/1000$	

<sup>1)</sup> Other local codes dimensional requirements are available upon request, please contact your local KONE Sales representative for more information.





- All dimensions are in millimeters
- Maximum vertical rise: H = 8000 mm
- One intermediate support needed if span >18110 mm
- Upper truss extension maximum 500 mm
- Lower truss extension maximum 500 mm
- Additional cladding material maximum 15 kg/m<sup>2</sup>
- Dimension for 10° inclination \*
- Dimension for 11° inclination \*\*
- Dimension for 12° inclination \*\*\*

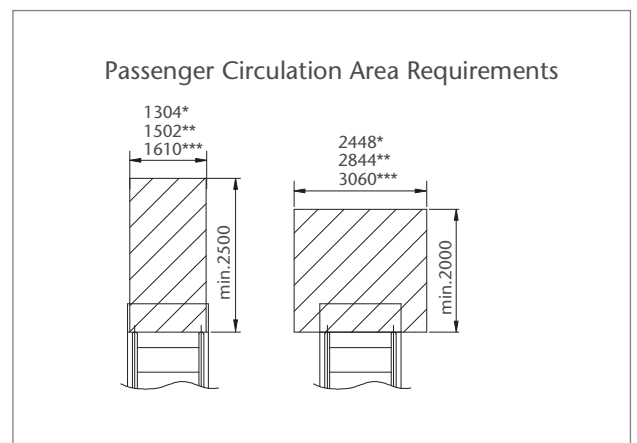
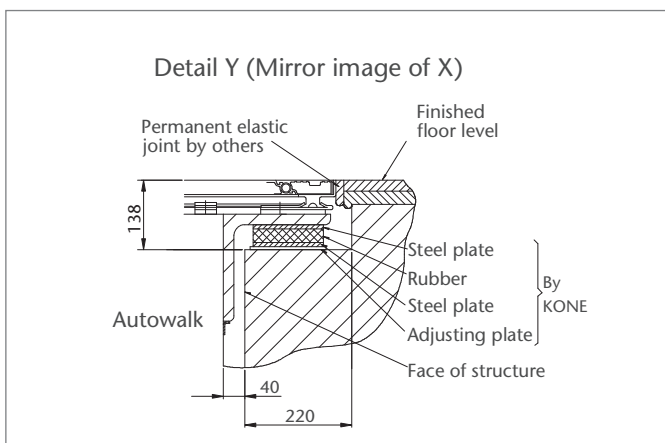
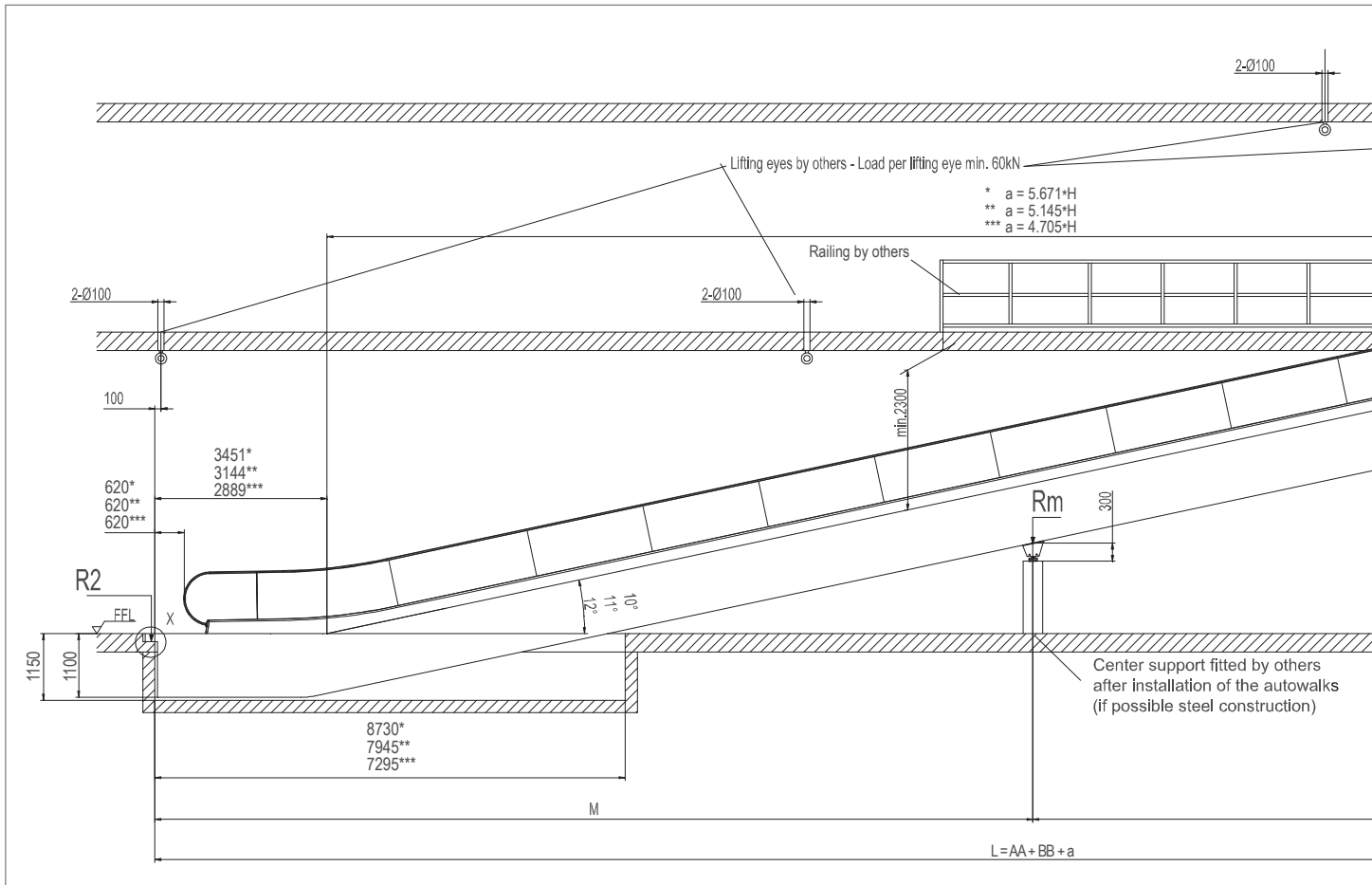
Note:  
 If you would like to obtain the exact dimensions for your specific project,  
 we recommend you use the Escalator Design Tools, which can be found on [www.kone.com](http://www.kone.com).

# KONE TRAVELMASTER™ 115 PLANNING DIMENSIONS

Architectural planning data

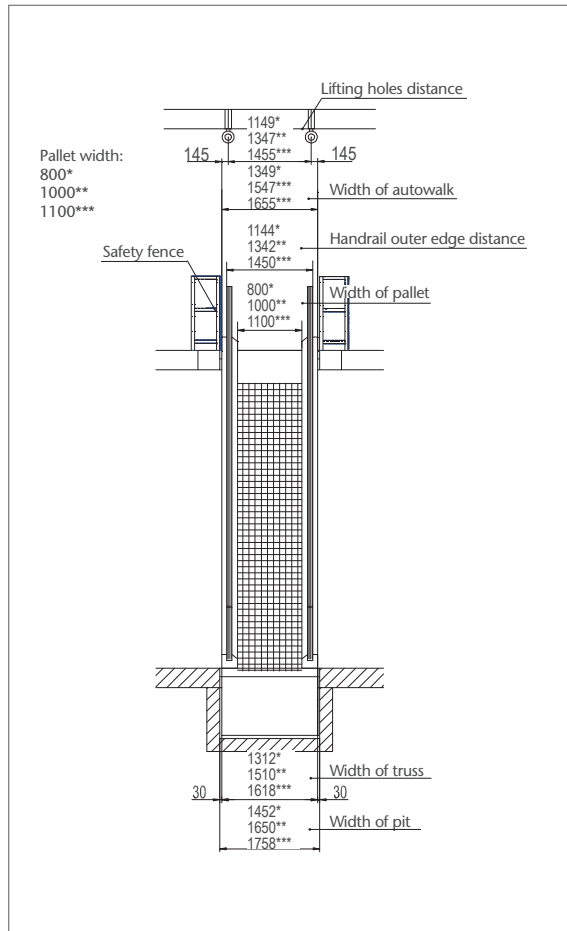
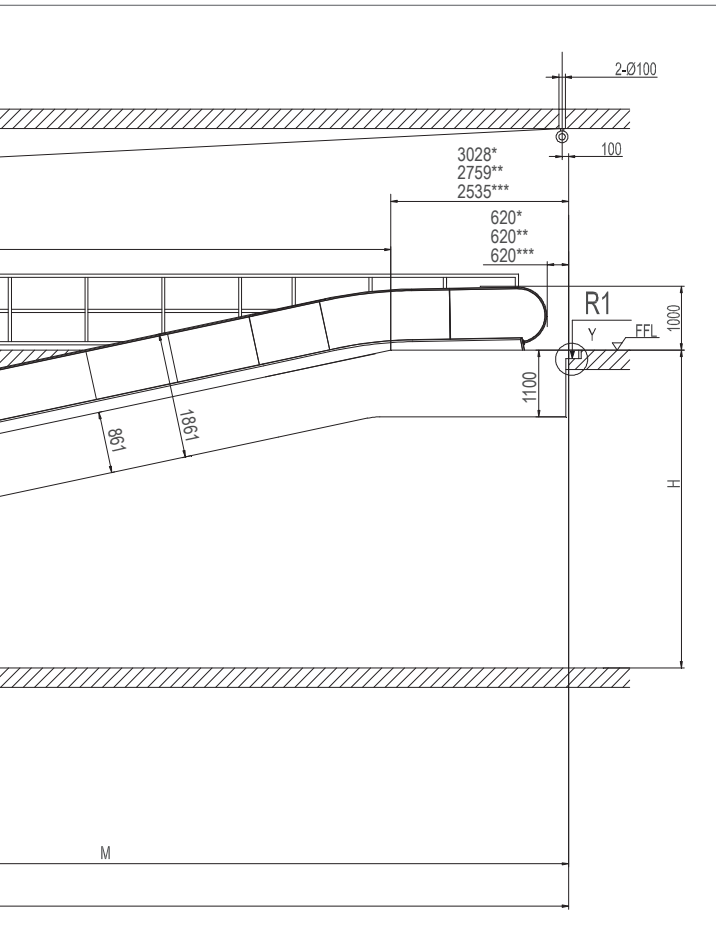
**10° / 11° / 12° inclination / standard truss type / 2 horizontal pallets at each landing**

Code: EN 115-1:2008 + A1:2010<sup>1)</sup>



REACTION FORCE (kN)						
	800 mm pallet width		1000 mm pallet width		1100 mm pallet width	
Without intermediate support	$R1=5.0L/1000+10.9$	$R1=5.0L/1000+3.0$	$R1=5.5L/1000+12$	$R1=5.5L/1000+3.4$	$R1=5.7L/1000+12.5$	$R1=5.7L/1000+3.6$
With intermediate support	$R1=2.1L/1000+10.9$	$R1=2.1L/1000+3.0$	$R1=2.3L/1000+12$	$R1=2.3L/1000+3.4$	$R1=2.4L/1000+12.5$	$R1=2.4L/1000+3.6$
	$Rm = 5.9L/1000+3.0$		$Rm = 6.6L/1000$		$Rm = 6.9L/1000$	

<sup>1)</sup> Other local codes dimensional requirements are available upon request, please contact your local KONE Sales representative for more information.



- All dimensions are in millimeters
- Maximum vertical rise  $H = 8000$  mm
- One intermediate support needed if span  $>18110$  mm
- Upper truss extension maximum 500 mm
- Lower truss extension maximum 500 mm
- Additional cladding material maximum  $15 \text{ kg/m}^2$
- Dimension for  $10^\circ$  inclination \*
- Dimension for  $11^\circ$  inclination \*\*
- Dimension for  $12^\circ$  inclination \*\*\*

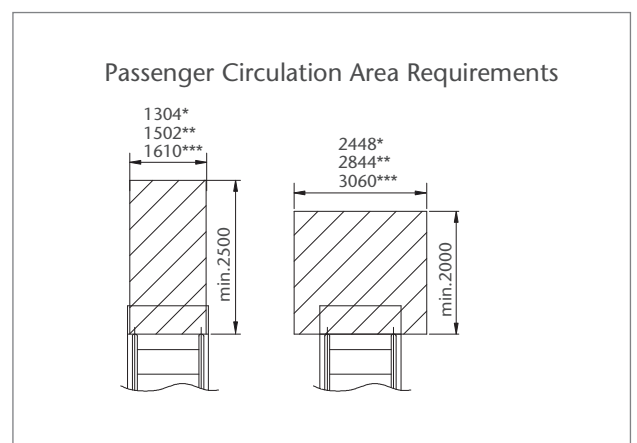
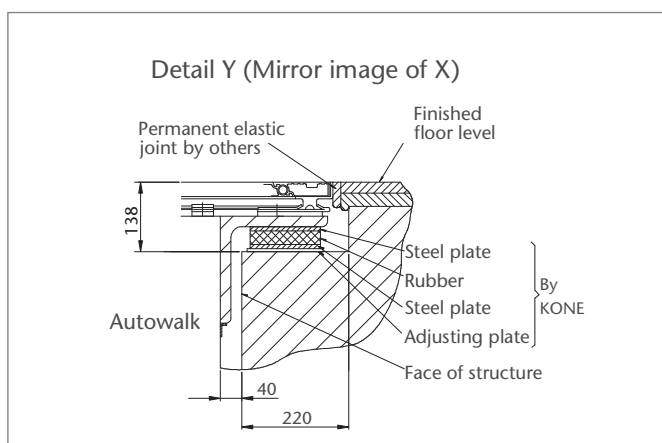
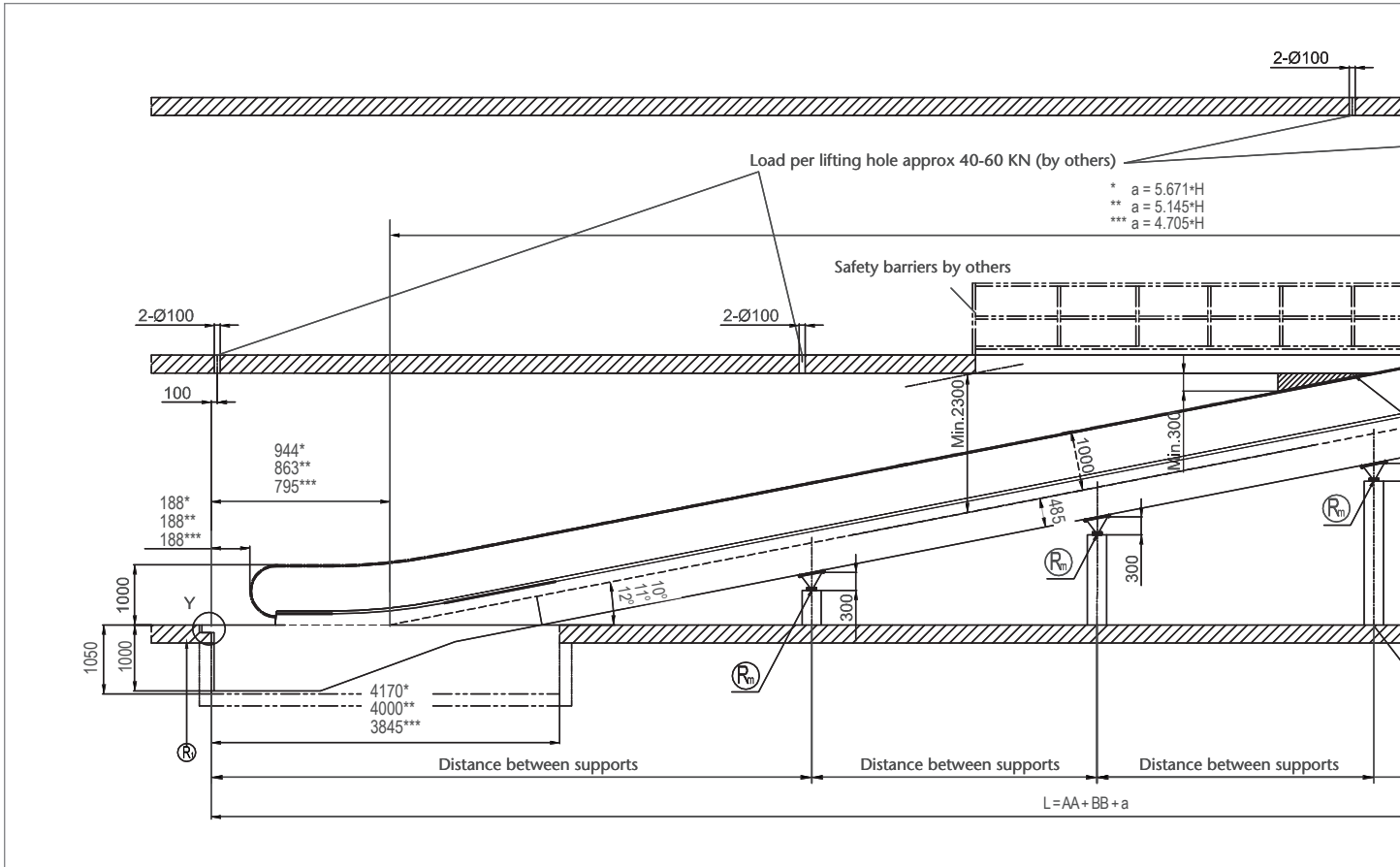
Note:  
 If you would like to obtain the exact dimensions for your specific project,  
 we recommend you use the Escalator Design Tools, which can be found on [www.kone.com](http://www.kone.com).

# KONE TRAVELMASTER™ 115 PLANNING DIMENSIONS

Architectural planning data

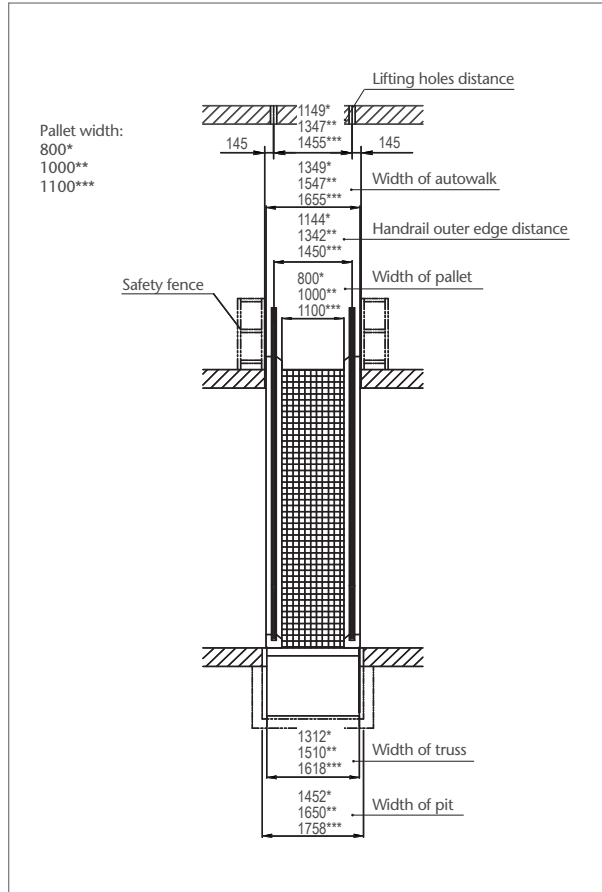
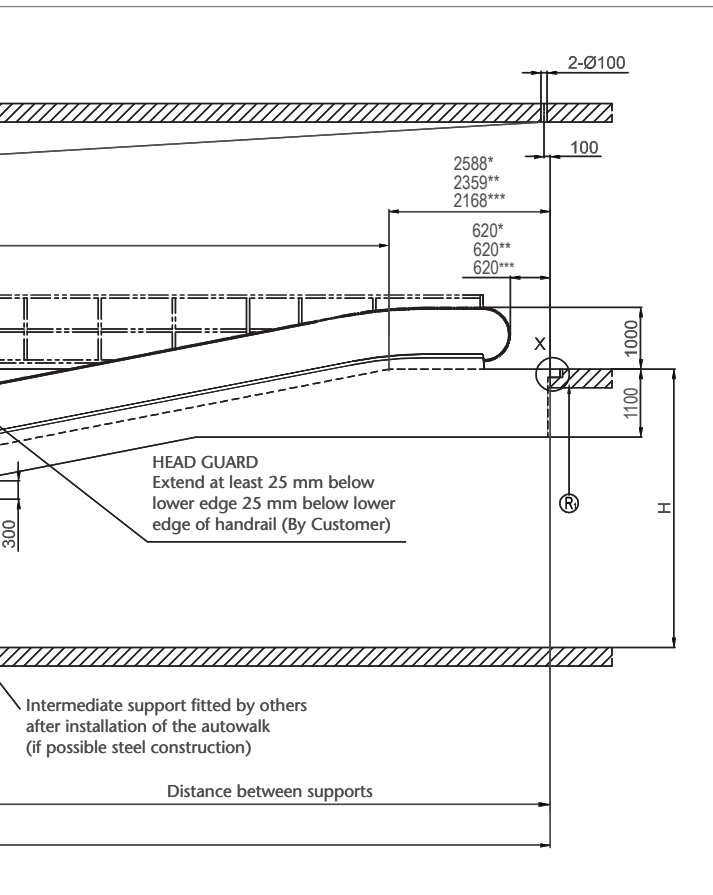
**10° / 11° / 12° inclination / flat truss type / 1 horizontal pallet at upper landing**

Code: EN 115-1:2008 + A1:2010<sup>1)</sup>



REACTION FORCE (kN)						
	800 mm pallet width		1000 mm pallet width		1100 mm pallet width	
Without intermediate support	$R1 = 5.0L/1000 + 10.9$	$R1 = 5.0L/1000 + 3.0$	$R1 = 5.5L/1000 + 12$	$R1 = 5.5L/1000 + 3.4$	$R1 = 5.7L/1000 + 12.5$	$R1 = 5.7L/1000 + 3.6$
With intermediate support	$R1 = 2.1L/1000 + 10.9$	$R1 = 2.1L/1000 + 3.0$	$R1 = 2.3L/1000 + 12$	$R1 = 2.3L/1000 + 3.4$	$R1 = 2.4L/1000 + 12.5$	$R1 = 2.4L/1000 + 3.6$
	$R_m = 5.9L/1000 + 3.0$		$R_m = 6.6L/1000$		$R_m = 6.9L/1000$	

<sup>1)</sup> Other local codes dimensional requirements are available upon request, please contact your local KONE Sales representative for more information.



- All dimensions are in millimeters
- Maximum vertical rise: H = 8000 mm
- One intermediate support needed if span >10000 mm
- Upper truss extension maximum 500 mm
- Lower truss extension maximum 500 mm
- Additional cladding material maximum 15 kg/m<sup>2</sup>
- Dimension for 10° inclination \*
- Dimension for 11° inclination \*\*
- Dimension for 12° inclination \*\*\*

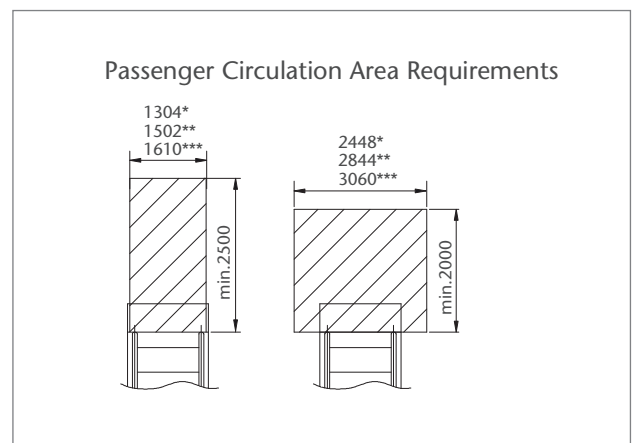
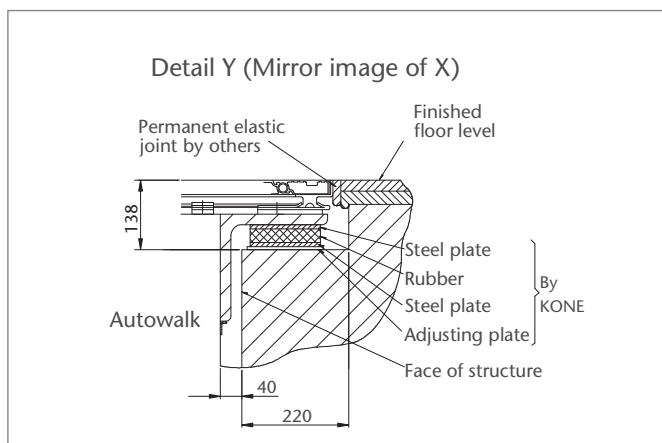
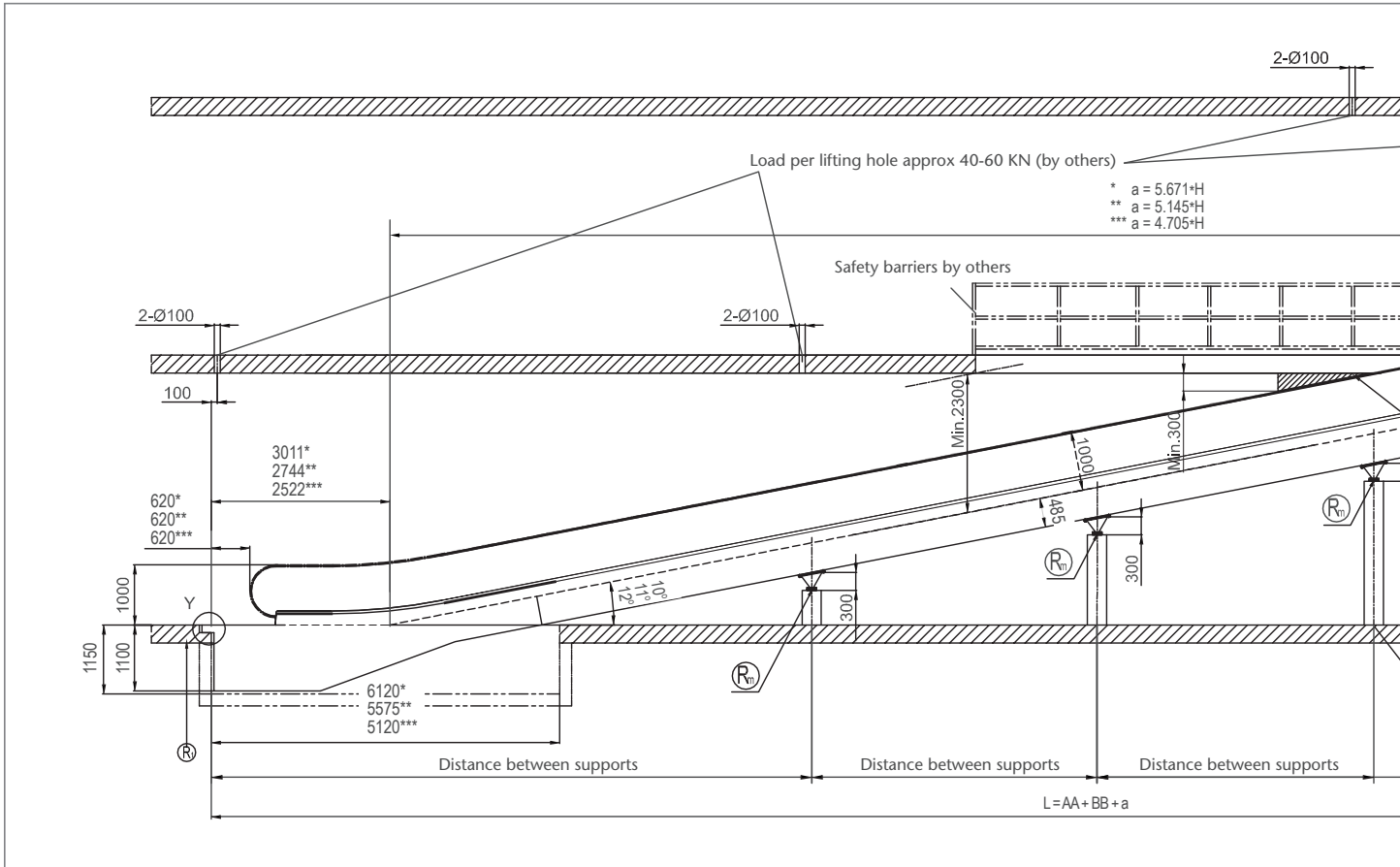
Note:  
If you would like to obtain the exact dimensions for your specific project,  
we recommend you use the Escalator Design Tools, which can be found on [www.kone.com](http://www.kone.com).

# KONE TRAVELMASTER™ 115 PLANNING DIMENSIONS

Architectural planning data

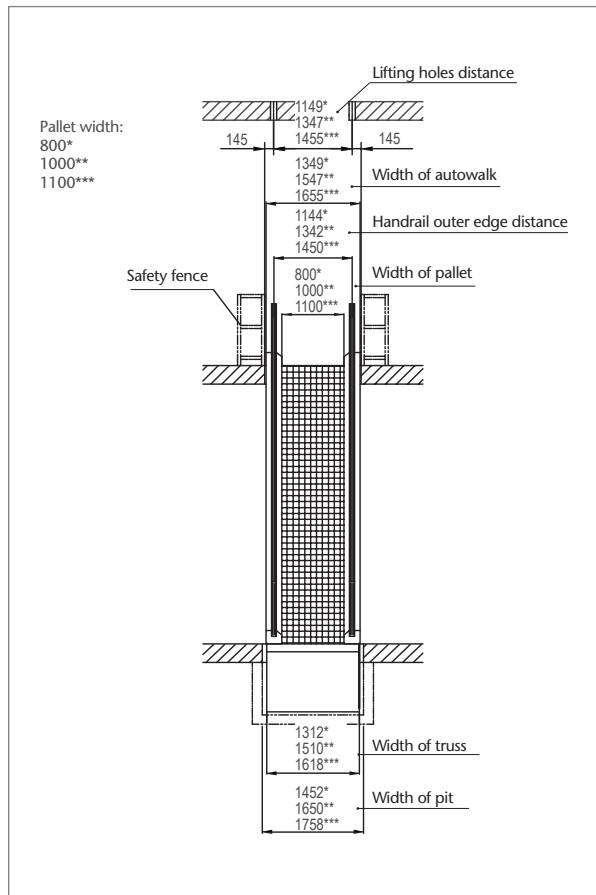
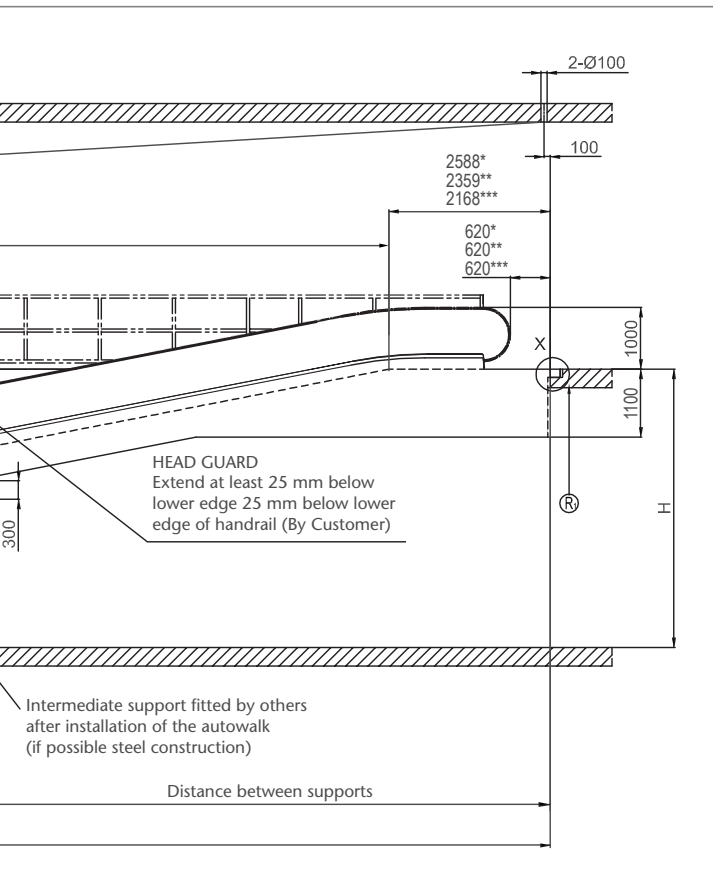
**10°/ 11°/ 12° inclination / flat truss type/ 1 horizontal pallet at lower, 1 at upper landing**

Code: EN 115-1:2008 + 1:2010<sup>1)</sup>



REACTION FORCE (KN)						
	800 mm pallet width		1000 mm pallet width		1100 mm pallet width	
Without intermediate support	$R1 = 5.0L/1000 + 10.9$	$R1 = 5.0L/1000 + 3.0$	$R1 = 5.5L/1000 + 12$	$R1 = 5.5L/1000 + 3.4$	$R1 = 5.7L/1000 + 12.5$	$R1 = 5.7L/1000 + 3.6$
With intermediate support	$R1 = 2.1L/1000 + 10.9$	$R1 = 2.1L/1000 + 3.0$	$R1 = 2.3L/1000 + 12$	$R1 = 2.3L/1000 + 3.4$	$R1 = 2.4L/1000 + 12.5$	$R1 = 2.4L/1000 + 3.6$
	$R_m = 5.9L/1000 + 3.0$		$R_m = 6.6L/1000$		$R_m = 6.9L/1000$	

<sup>1)</sup> Other local codes dimensional requirements are available upon request, please contact your local KONE Sales representative for more information.



- All dimensions are in millimeters
- Maximum vertical rise: H = 8000 mm
- One intermediate support needed if span >10000 mm
- Upper truss extension maximum 500 mm
- Lower truss extension maximum 500 mm
- Additional cladding material maximum 15 kg/m<sup>2</sup>
- Dimension for 10° inclination \*
- Dimension for 11° inclination \*\*
- Dimension for 12° inclination \*\*\*

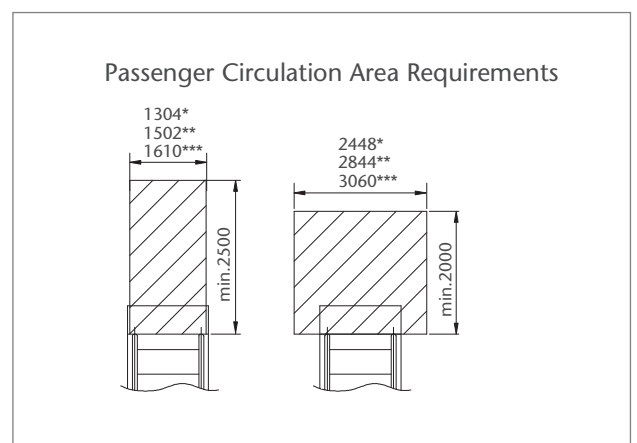
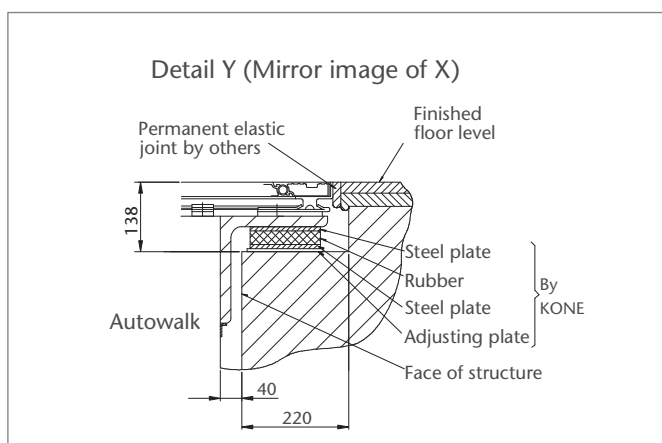
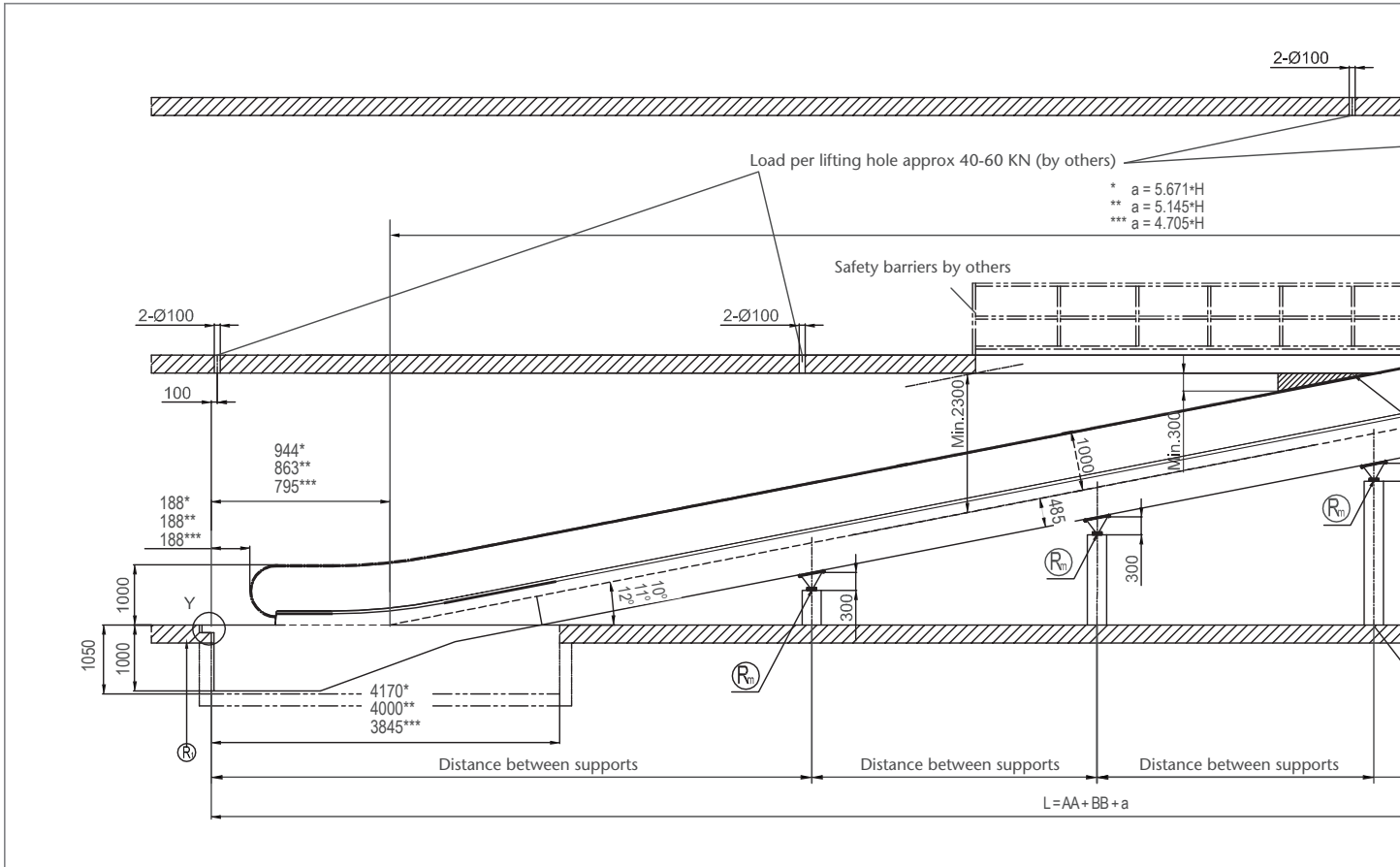
Note:  
If you would like to obtain the exact dimensions for your specific project,  
we recommend you use the Escalator Design Tools, which can be found on [www.kone.com](http://www.kone.com).

# KONE TRAVELMASTER™ 115 PLANNING DIMENSIONS

Architectural planning data

**10° / 11° / 12° inclination / flat truss type / 2 horizontal pallets at upper landing**

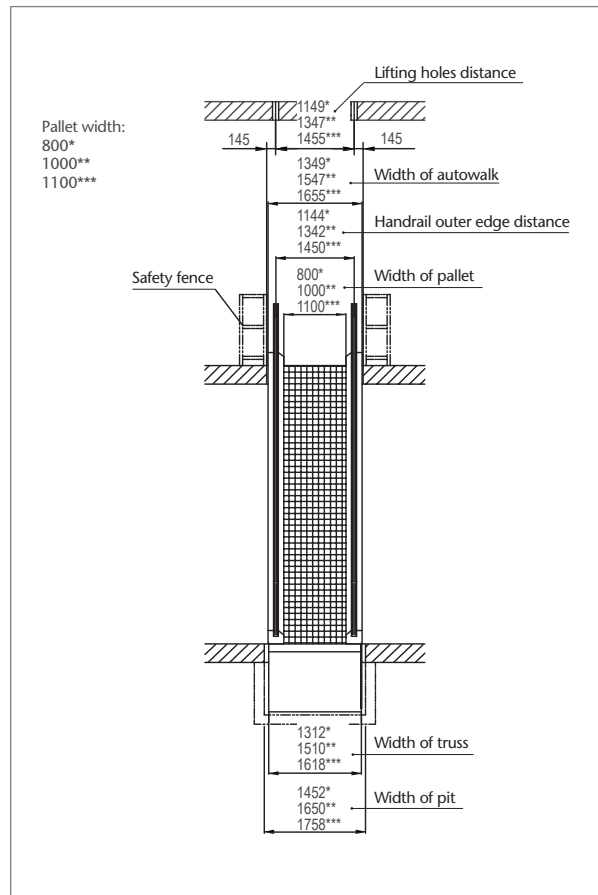
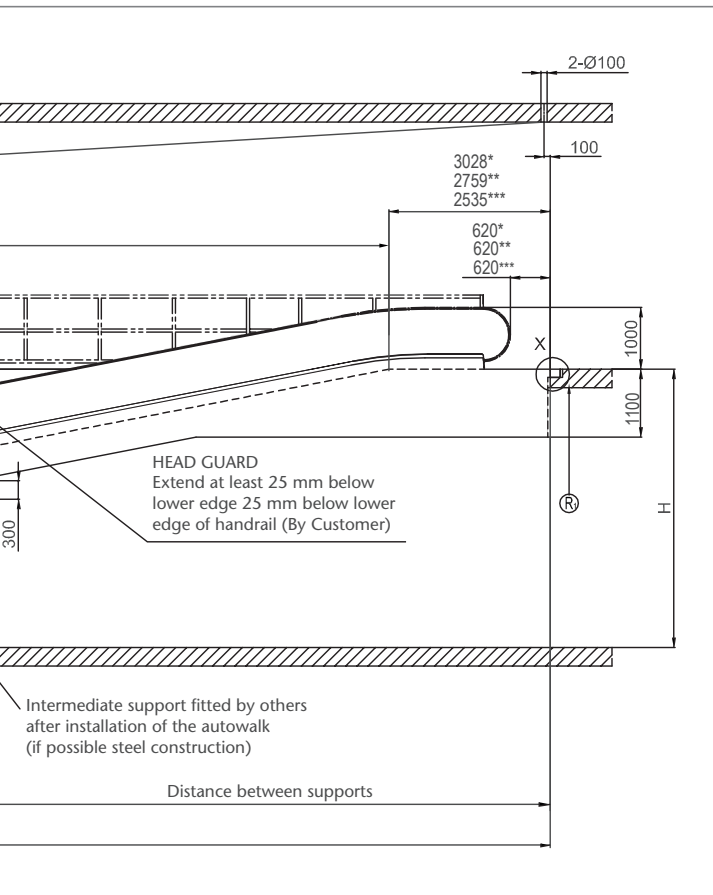
Code: EN 115-1:2008 + A1:2010<sup>1)</sup>



REACTION FORCE (kN)						
	800 mm pallet width		1000 mm pallet width		1100 mm pallet width	
Without intermediate support	$R1 = 5.0L/1000 + 10.9$	$R1 = 5.0L/1000 + 3.0$	$R1 = 5.5L/1000 + 12$	$R1 = 5.5L/1000 + 3.4$	$R1 = 5.7L/1000 + 12.5$	$R1 = 5.7L/1000 + 3.6$
With intermediate support	$R1 = 2.1L/1000 + 10.9$	$R1 = 2.1L/1000 + 3.0$	$R1 = 2.3L/1000 + 12$	$R1 = 2.3L/1000 + 3.4$	$R1 = 2.4L/1000 + 12.5$	$R1 = 2.4L/1000 + 3.6$
	$R_m = 5.9L/1000 + 3.0$		$R_m = 6.6L/1000$		$R_m = 6.9L/1000$	

<sup>1)</sup> Other local codes dimensional requirements are available upon request, please contact your local KONE Sales representative for more information.





- All dimensions are in millimeters
- Maximum vertical rise: H = 8000 mm
- One intermediate support needed if span >10000 mm
- Upper truss extension maximum 500 mm
- Lower truss extension maximum 500 mm
- Additional cladding material maximum 15 kg/m<sup>2</sup>
- Dimension for 10° inclination \*
- Dimension for 11° inclination \*\*
- Dimension for 12° inclination \*\*\*

Note:

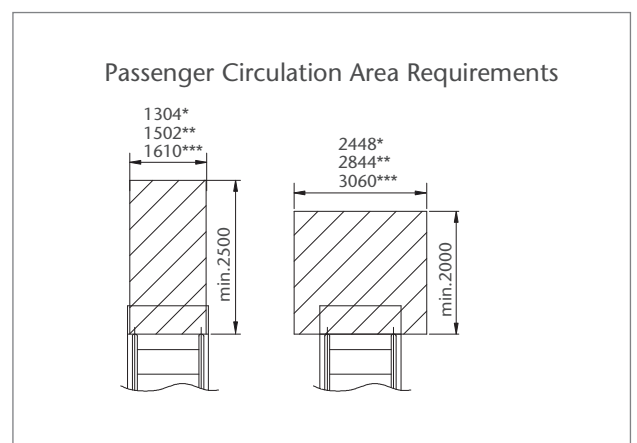
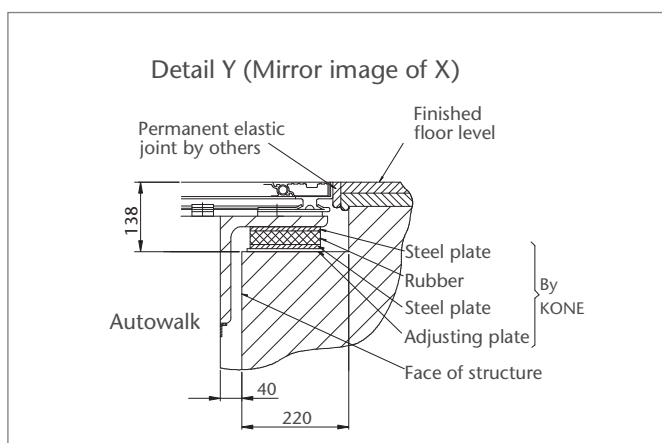
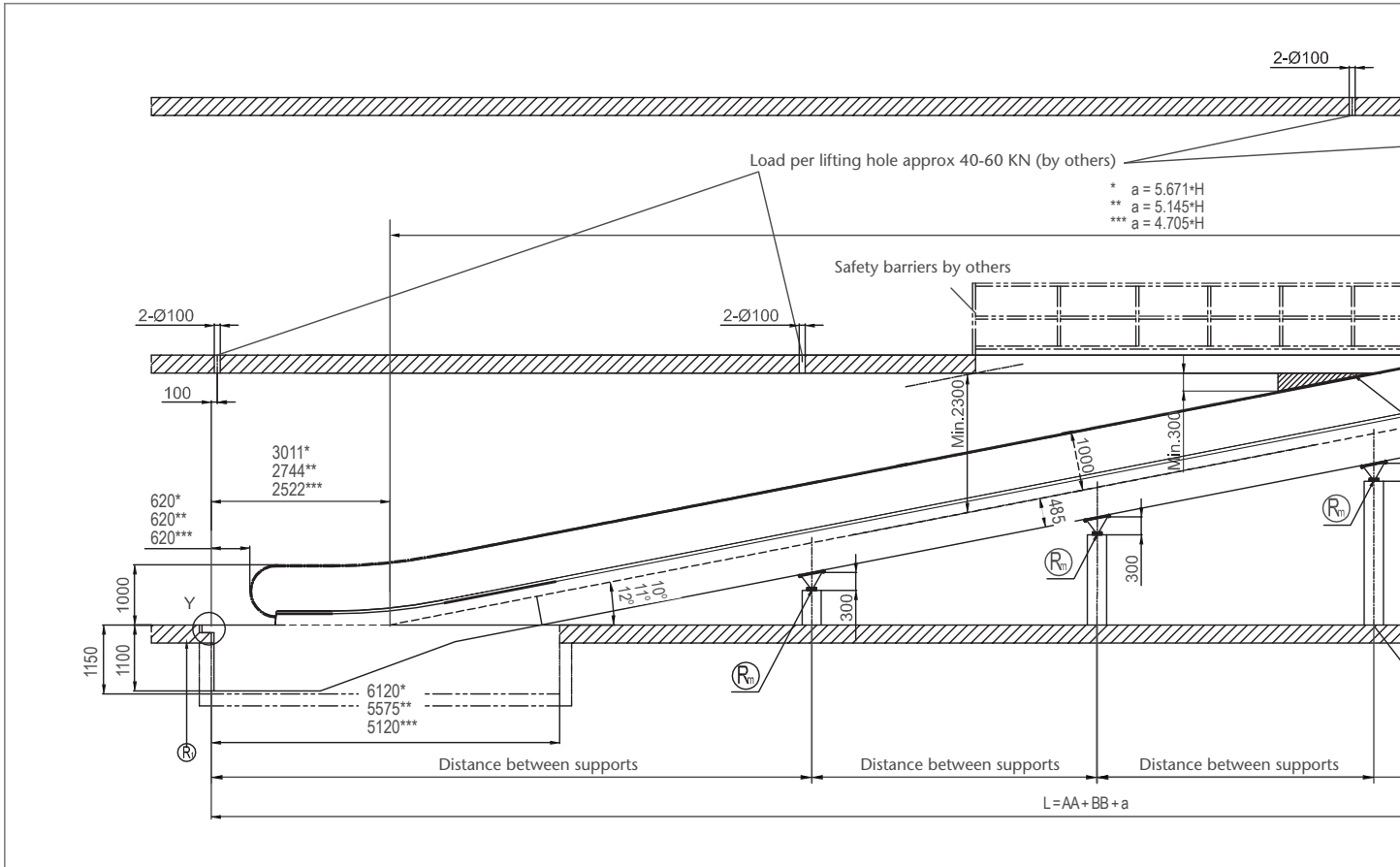
If you would like to obtain the exact dimensions for your specific project, we recommend you use the Escalator Design Tools, which can be found on [www.kone.com](http://www.kone.com).

# KONE TRAVELMASTER™ 115 PLANNING DIMENSIONS

Architectural planning data

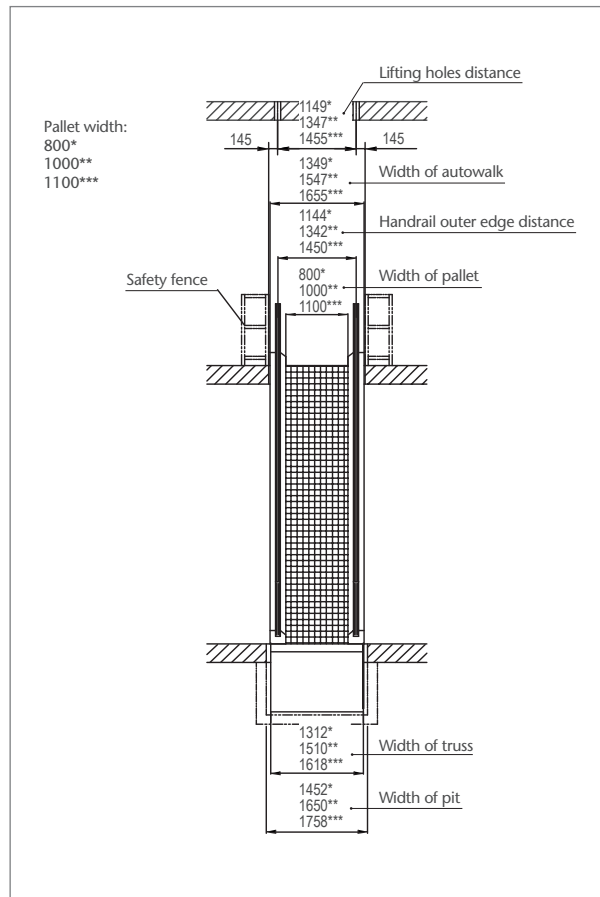
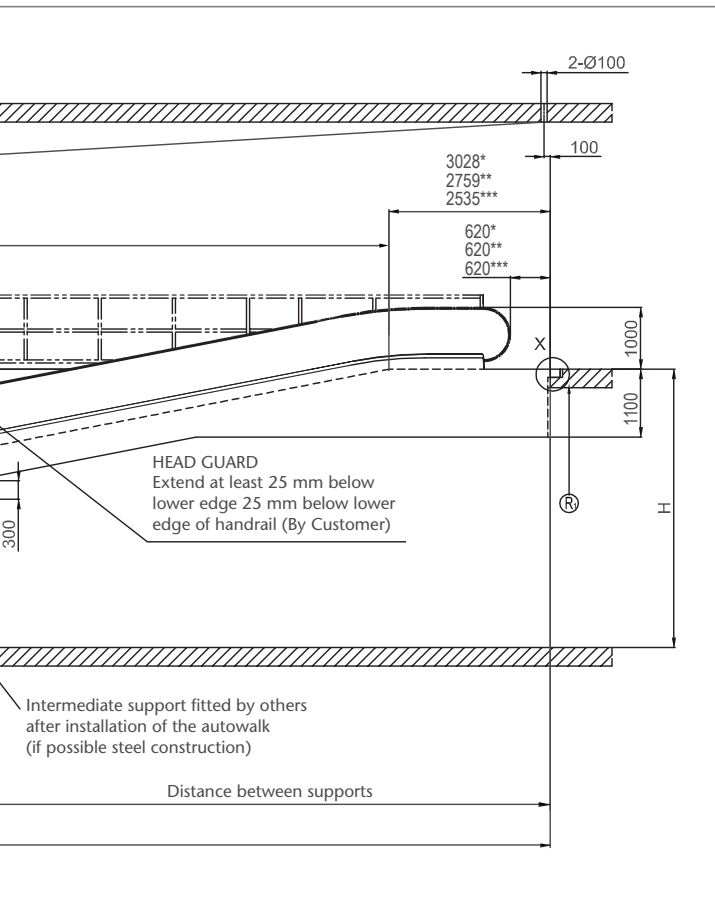
**10°/ 11°/ 12° inclination / flat truss type / 1 horizontal pallet at lower, 2 at upper landing**

Code: EN 115-1:2008 + A1:2010<sup>1)</sup>



REACTION FORCE (kN)						
	800 mm pallet width		1000 mm pallet width		1100 mm pallet width	
Without intermediate support	$R1 = 5.0L/1000 + 10.9$	$R1 = 5.0L/1000 + 3.0$	$R1 = 5.5L/1000 + 12$	$R1 = 5.5L/1000 + 3.4$	$R1 = 5.7L/1000 + 12.5$	$R1 = 5.7L/1000 + 3.6$
With intermediate support	$R1 = 2.1L/1000 + 10.9$	$R1 = 2.1L/1000 + 3.0$	$R1 = 2.3L/1000 + 12$	$R1 = 2.3L/1000 + 3.4$	$R1 = 2.4L/1000 + 12.5$	$R1 = 2.4L/1000 + 3.6$
	$R_m = 5.9L/1000 + 3.0$		$R_m = 6.6L/1000$		$R_m = 6.9L/1000$	

<sup>1)</sup> Other local codes dimensional requirements are available upon request, please contact your local KONE Sales representative for more information.



- All dimensions are in millimeters
- Maximum vertical rise: H = 8000 mm
- One intermediate support needed if span >10000 mm
- Upper truss extension maximum 500 mm
- Lower truss extension maximum 500 mm
- Additional cladding material maximum 15 kg/m<sup>2</sup>
- Dimension for 10° inclination \*
- Dimension for 11° inclination \*\*
- Dimension for 12° inclination \*\*\*

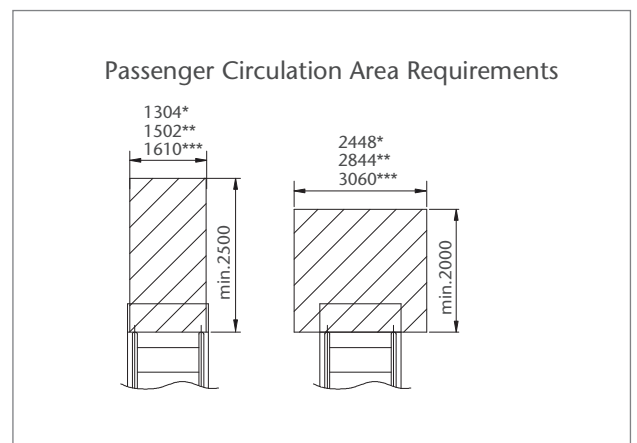
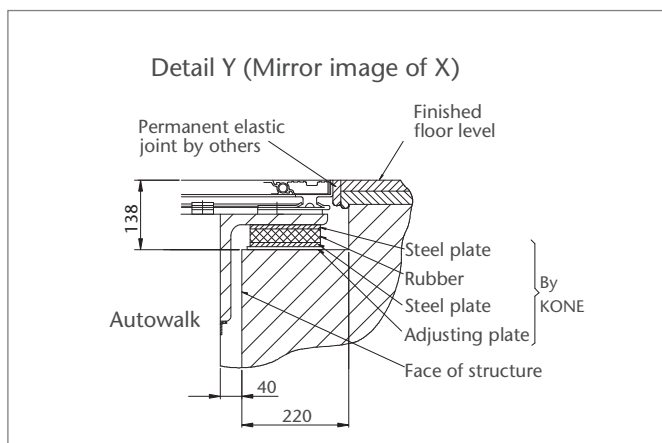
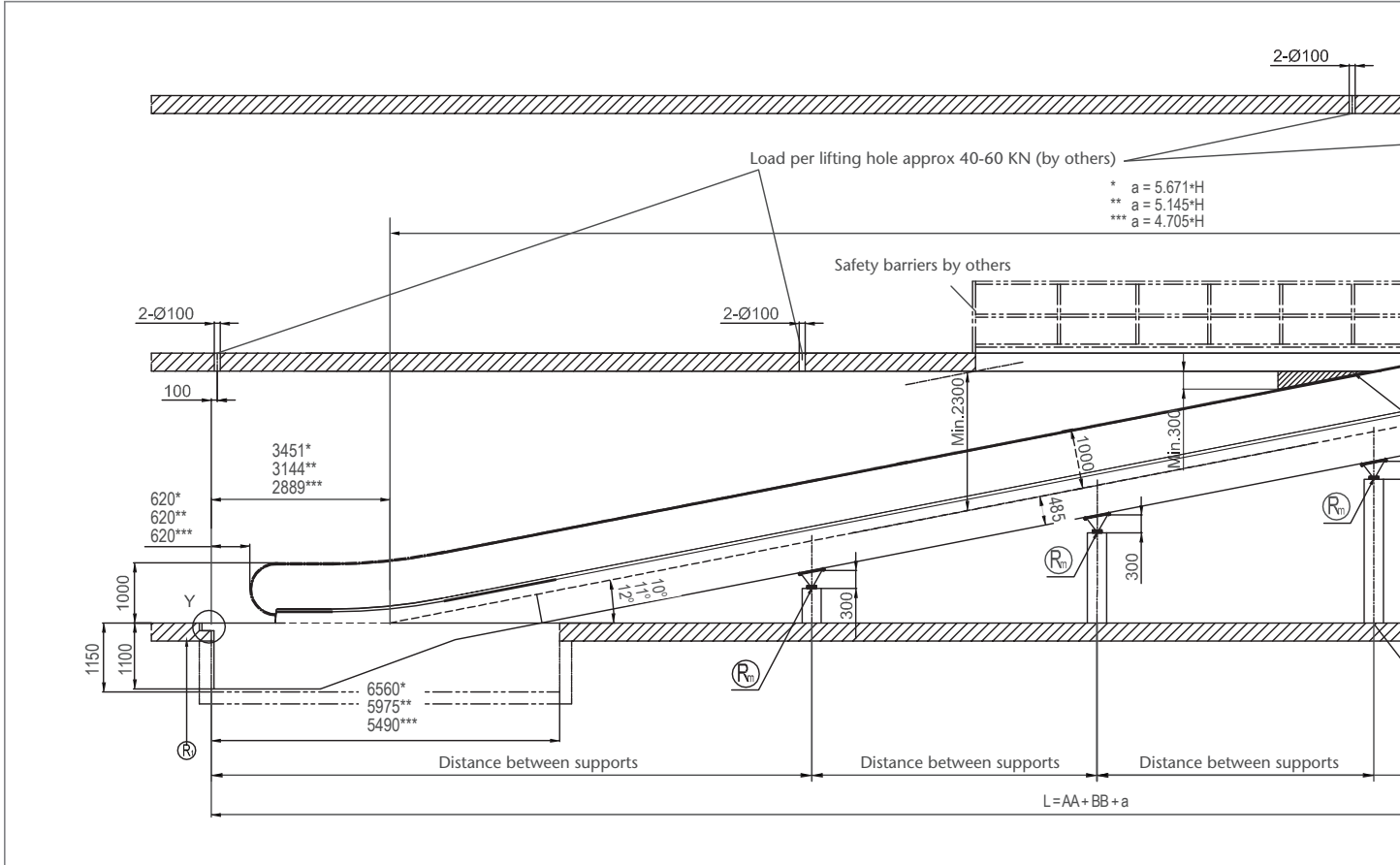
Note:  
If you would like to obtain the exact dimensions for your specific project,  
we recommend you use the Escalator Design Tools, which can be found on [www.kone.com](http://www.kone.com).

# KONE TRAVELMASTER™ 115 PLANNING DIMENSIONS

Architectural planning data

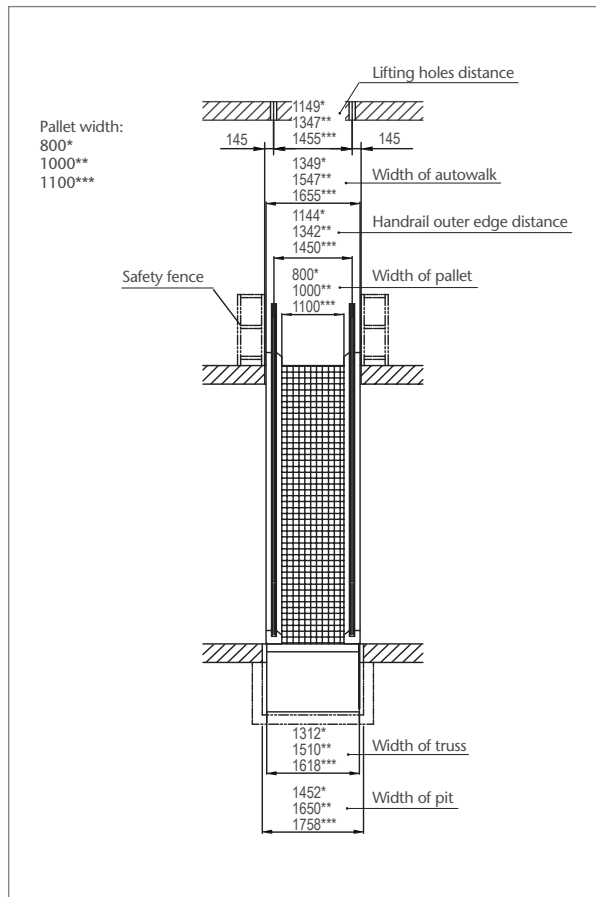
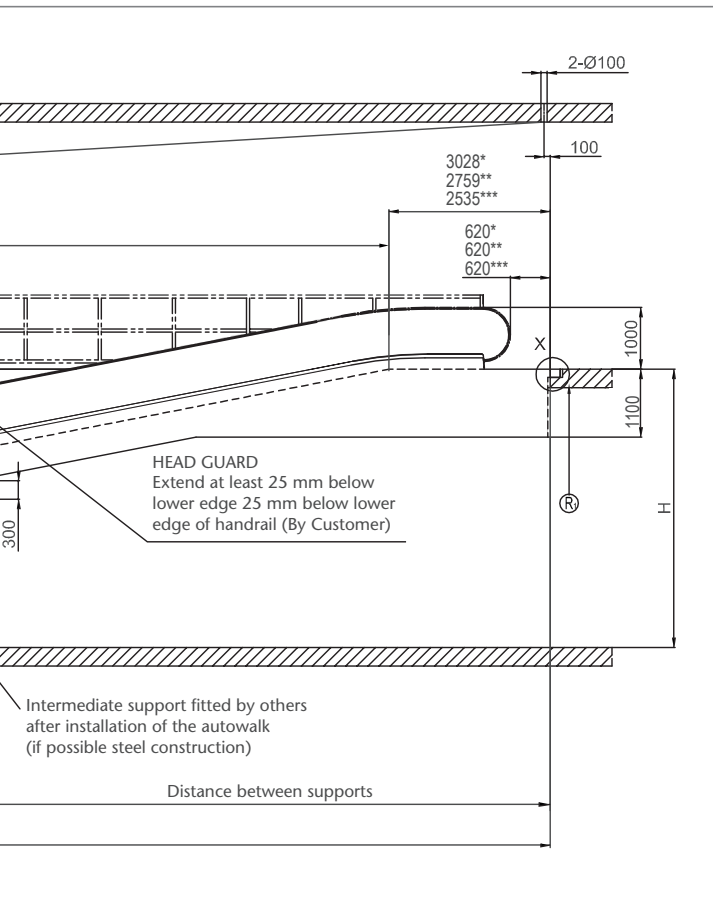
**10° / 11° / 12° inclination / flat truss type / 2 horizontal pallets at lower landing, 2 at upper landing**

Code: EN 115-1:2008 + A1:2010<sup>1)</sup>



REACTION FORCE [KN]						
	800 mm pallet width		1000 mm pallet width		1100 mm pallet width	
Without intermediate support	$R1=5.0L/1000+10.9$	$R1=5.0L/1000+3.0$	$R1=5.5L/1000+12$	$R1=5.5L/1000+3.4$	$R1=5.7L/1000+12.5$	$R1=5.7L/1000+3.6$
With intermediate support	$R1=2.1L/1000+10.9$	$R1=2.1L/1000+3.0$	$R1=2.3L/1000+12$	$R1=2.3L/1000+3.4$	$R1=2.4L/1000+12.5$	$R1=2.4L/1000+3.6$
	$Rm = 5.9L/1000+3.0$		$Rm = 6.6L/1000$		$Rm = 6.9L/1000$	

<sup>1)</sup> Other local codes dimensional requirements are available upon request, please contact your local KONE Sales representative for more information.



- All dimensions are in millimeters
- Maximum vertical rise H = 8000 mm
- One intermediate support needed if span >10000 mm
- Upper truss extension maximum 500 mm
- Lower truss extension maximum 500 mm
- Additional cladding material maximum 15 kg/m<sup>2</sup>
- Dimension for 10° inclination \*
- Dimension for 11° inclination \*\*
- Dimension for 12° inclination \*\*\*

Note:  
If you would like to obtain the exact dimensions for your specific project, we recommend you use the Escalator Design Tools, which can be found on [www.kone.com](http://www.kone.com).





KONE provides innovative and eco-efficient solutions for elevators, escalators, automatic building doors and the systems that integrate them with today's intelligent buildings.

We support our customers every step of the way; from design, manufacturing and installation to maintenance and modernization. KONE is a global leader in helping our customers manage the smooth flow of people and goods throughout their buildings.

Our commitment to customers is present in all KONE solutions. This makes us a reliable partner throughout the life cycle of the building. We challenge the conventional wisdom of the industry. We are fast, flexible, and we have a well-deserved reputation as a technology leader, with such innovations as KONE MonoSpace®, KONE NanoSpace™ and KONE UltraRope®.

KONE employs close to 50,000 dedicated experts to serve you globally and locally.

**KONE Corporation**  
**[www.kone.com](http://www.kone.com)**